



## For valves in the 516 (pneumatic) and 517 (electro-pneumatic) Series

5510.02-18–5510.38-A, 5520.02-18–5520.12-A

### Product features

Aluminium alloy manifold bases 6061-T6 for 2 to 8 valve positions.

### Multiple manifold bases' specification

Type No.	5510.02-18–5510.08-18	5510.02-14–5510.08-14	5510.02-38–5510.08-38
Size	100	200	300
Fluid	Air (to be filtered by $\leq 40 \mu\text{m}$ filter element)		
Adaptable valve's series	517.1000, 517.1001, 517.1100, 517.1101, 517.1200, 517.1201, 517.1300, 517.1301, 517.1400, 517.1401, 517.1500, 517.1501, 516.1000, 516.1001, 516.2000, 516.2001, 516.3000, 516.3001	517.1002, 517.1003, 517.1102, 517.1103, 517.1202, 517.1203, 517.1302, 517.1303, 517.1402, 517.1403, 517.1502, 517.1503, 516.1002, 516.1003, 516.2002, 516.2003, 516.3002, 516.3003	517.1004, 517.1005, 517.1104, 517.1105, 517.1204, 517.1205, 517.1304, 517.1305, 517.1404, 517.1405, 517.1504, 517.1505, 516.1004, 516.1005, 516.2004, 516.2005, 516.3004, 516.2005

Type No.	5520.02-18–5520.08-18	5520.02-14–5520.08-14	5520.02-38–5520.08-38	5520.02-12–5520.08-12
Size	100	200	300	400
Fluid	Air (to be filtered by $\leq 40 \mu\text{m}$ filter element)			
Adaptable valve's series	517.2000, 517.2001, 517.2100, 517.2101, 517.2200, 517.2201, 517.2300, 517.2301, 517.3000, 517.3001, 517.3100, 517.3101, 517.3200, 517.3201, 517.3300, 517.3301, 517.3400, 517.3401, 517.3500, 517.3501, 516.4000, 516.4001, 516.5000, 516.5001, 516.6000, 516.6001, 516.7000, 516.7001, 516.8000, 516.8001	517.2002, 517.2003, 517.2102, 517.2103, 517.2202, 517.2203, 517.2302, 517.2303, 517.3002, 517.3003, 517.3102, 517.3103, 517.3202, 517.3203, 517.3302, 517.3303, 517.3402, 517.3403, 517.3502, 517.3503, 516.4002, 516.4003, 516.5002, 516.5003, 516.6002, 516.6003, 516.7002, 516.7003, 516.8002, 516.8003	517.2004, 517.2005, 517.2104, 517.2105, 517.2204, 517.2205, 517.2304, 517.2305, 517.3004, 517.3005, 517.3104, 517.3105, 517.3204, 517.3205, 517.3304, 517.3305, 517.3404, 517.3405, 517.3504, 517.3505, 516.4004, 516.4005, 516.5004, 516.5005, 516.6004, 516.6005, 516.7004, 516.7005, 516.8005, 516.8005	517.2006, 517.2106, 517.2206, 517.2306, 517.3006, 517.3106, 517.3206, 517.3306, 517.3406, 517.3506, 516.4006, 516.5006, 516.6006, 516.7006, 516.8006

### Ordering information

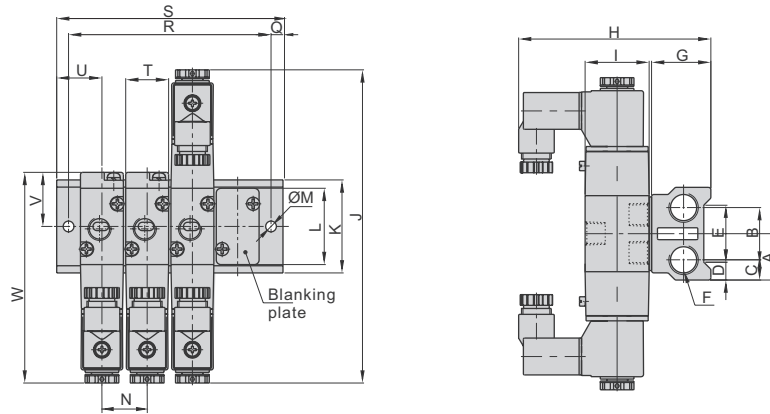
Type No.	Type
5510.02-18–5510.38-A	Manifold base for 3/2-way valve
5520.02-18–5520.12-A	Manifold base for 5/2- and 5/3 way valves

For valves in the 516 (pneumatic) and 517 (electro-pneumatic) Series

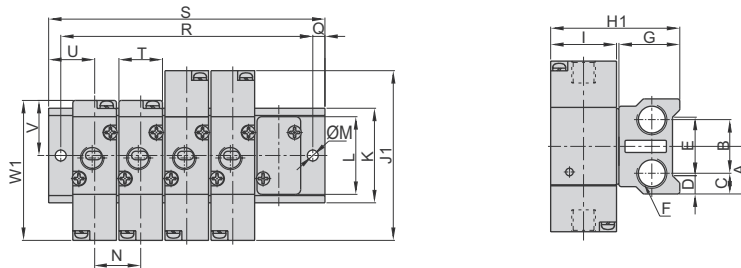
5510.02-18-5510.38-A, 5520.02-18-5520.12-A

Body dimensions

517 series



516 series



Type No.	A	B	C	D	E	F	G	H	H1	I	J	J1	K	L	M	N	Q	T	U
5510.02-18-5510.08-18	19.5	22.0	8.5	7.5	24.0	1/4"	25.0	81.0	53.0	27.0	131.4	70.0	39.0	32.0	4.5	19.0	5.0	18.0	19.0
5510.02-14-5510.08-14	22.5	25.0	10.0	8.0	29.0	1/4"	25.0	92.7	61.0	35.0	162.4	84.0	45.0	40.0	4.5	23.0	6.0	22.0	23.0
5510.02-38-5510.08-38	26.0	28.0	12.0	8.0	36.0	3/8"	29.0	99.2	70.0	40.0	174.8	96.0	52.0	47.0	4.5	28.0	6.0	27.0	27.0

(Values in mm, exception F = inch)

Type No.	R								S								V	W	W1
	1F	2F	3F	4F	5F	6F	7F	8F	1F	2F	3F	4F	5F	6F	7F	8F			
5510.02-18-5510.08-18	28.0	47.0	66.0	85.0	104.0	123.0	142.0	161.0	38.0	57.0	76.0	95.0	114.0	133.0	152.0	171.0	22.7	88.4	57.7
5510.02-14-5510.08-14	34.0	57.0	80.0	103.0	126.0	149.0	172.0	195.0	46.0	69.0	92.0	115.0	138.0	161.0	184.0	207.0	27.7	109.1	69.7
5510.02-38-5510.08-38	42.0	70.0	98.0	126.0	154.0	182.0	210.0	238.0	54.0	82.0	110.0	138.0	166.0	194.0	222.0	250.0	32.5	119.9	80.5

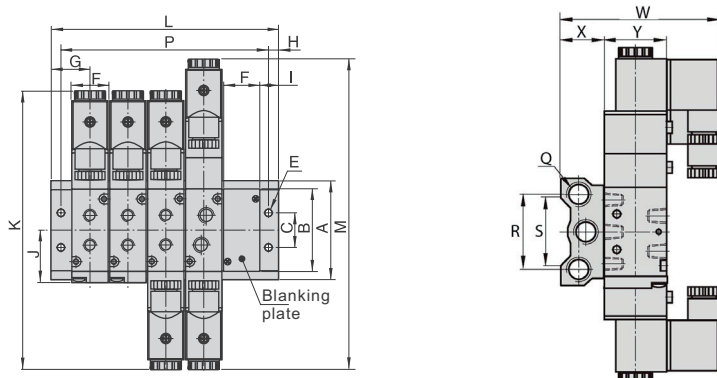
(Values in mm)

## For valves in the 516 (pneumatic) and 517 (electro-pneumatic) Series

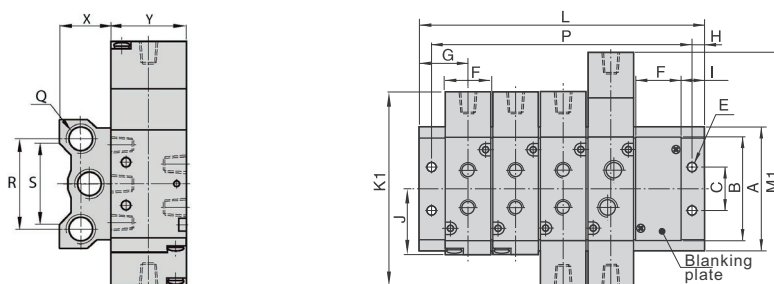
5510.02-18–5510.38-A, 5520.02-18–5520.12-A

### Body dimensions

#### 517 series



#### 516 series



Type No.	A	B	C	E	F	G	H	I	J	K	K1	M1	M1	Q	R	S
5520.02-18–5520.08-18	57.5	43.2	20.0	4.5	18.3	19.0	5.0	10.0	28.2	139.4	81.0	154.5	96.0	1/4"	40.0	30.0
5520.02-14–5520.08-14	60.0	50.7	21.0	4.5	22.4	23.0	6.0	12.0	31.7	170.0	92.0	189.0	111.0	1/4"	43.0	32.0
5520.02-38–5520.08-38	75.0	64.8	26.0	4.5	27.3	27.0	6.0	13.5	40.0	188.8	111.0	208.0	130.0	3/8"	53.0	48.0
5520.02-12–5520.08-12	100.0	94.5	32.0	5.5	34.3	31.5	7.0	14.5	57.0	221.8	142.0	243.0	163.0	1/2"	68.0	67.0

(Values in mm, exception Q = inch)

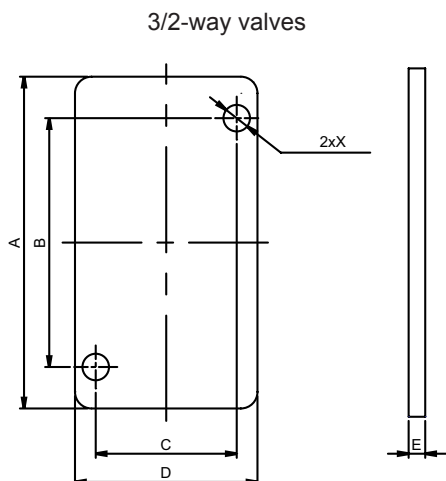
Type No.	L								P								W	X	Y
	1F	2F	3F	4F	5F	6F	7F	8F	1F	2F	3F	4F	5F	6F	7F	8F			
5520.02-18–5520.08-18	38.0	57.0	76.0	95.0	114.0	133.0	152.0	171.0	28.0	47.0	66.0	85.0	104.0	123.0	142.0	161.0	79.0	22.0	27.0
5520.02-14–5520.08-14	46.0	69.0	92.0	115.0	138.0	161.0	184.0	207.0	34.0	57.0	80.0	103.0	126.0	149.0	172.0	195.0	93.0	24.0	35.0
5520.02-38–5520.08-38	54.0	82.0	110.0	138.0	166.0	194.0	222.0	250.0	42.0	70.0	98.0	126.0	154.0	182.0	210.0	238.0	99.5	28.0	40.0
5520.02-12–5520.08-12	63.0	98.0	133.0	168.0	203.0	238.0	273.0	308.0	49.0	84.0	119.0	154.0	189.0	224.0	259.0	294.0	112.5	33.0	50.0

(Values in mm)

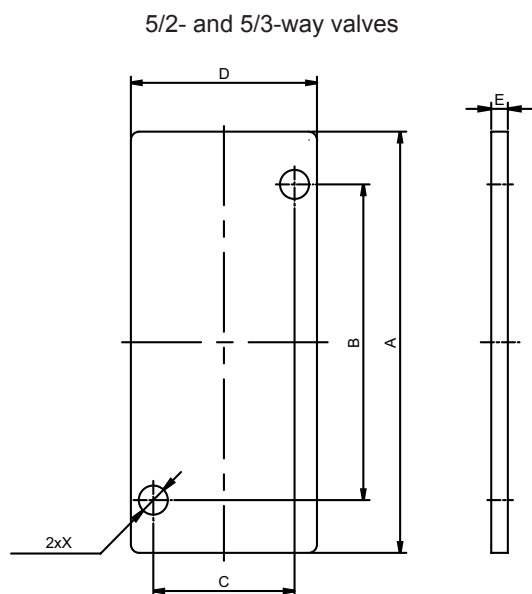
For valves in the 516 (pneumatic) and 517 (electro-pneumatic) Series

5510.02-18-5510.38-A, 5520.02-18-5520.12-A

Blanking plate for manifold base



Type No.	A	B	C	D	X	E
5510.18-A	32.0	19.0	13.0	18.0	3.2	2.0
5510.14-A	40.0	30.0	17.0	22.0	3.2	2.0
5510.38-A	47.0	35.0	20.0	27.0	4.3	2.0



Type No.	A	B	C	D	X	E
5520.18-A	43.2	30.0	13.0	18.3	3.5	2.0
5520.14-A	50.7	38.0	17.0	22.4	3.5	2.0
5520.38-A	64.8	50.0	20.0	27.3	4.5	2.0
5520.12-A	94.5	72.0	27.0	34.3	4.5	3.0

**Ordering information**

Type No.	Art. No.
5510.02-18	116220
5510.03-18	116223
5510.04-18	116226
5510.05-18	116229
5510.06-18	116232
5510.07-18	116235
5510.08-18	116238
5510.18-A	116241
5510.02-14	116219
5510.03-14	116222
5510.04-14	116225
5510.05-14	116228
5510.06-14	116231
5510.07-14	116234
5510.08-14	116237
5510.14-A	116240
5510.02-38	116221
5510.03-38	116224
5510.04-38	116227
5510.05-38	116230
5510.06-38	116233
5510.07-38	116236
5510.08-38	116239
5510.38-A	116242

**Ordering information**

Type No.	Art. No.
5520.02-18	116245
5520.03-18	116249
5520.04-18	116253
5520.05-18	116257
5520.06-18	116261
5520.07-18	116265
5520.08-18	116269
5520.18-A	116273
5520.02-14	116244
5520.03-14	116248
5520.04-14	116252
5520.05-14	116256
5520.06-14	116260
5520.07-14	116264
5520.08-14	116268
5520.14-A	116272
5520.02-38	116246
5520.03-38	116250
5520.04-38	116254
5520.05-38	116258
5520.06-38	116262
5520.07-38	116266
5520.08-38	116270
5520.38-A	116274
5520.02-12	116243
5520.03-12	116247
5520.04-12	116251
5520.05-12	116255
5520.06-12	116259
5520.07-12	116263
5520.08-12	116267
5520.12-A	116271