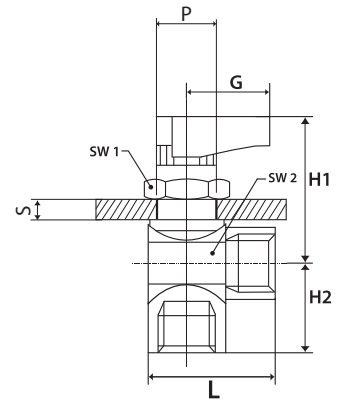


For panel mounting

 Body and ball
 Rotating handle:
 Ball seals
 Stem seal
 Operating temperature
 Operating pressure
 Thread
 Applications

 Chrome plated-brass
 PA 66 glass fibre-reinforced
 PTFE
 NBR
 -20 °C to +80 °C
 -0,99 bar to 20 bar
 G thread acc. to DIN EN ISO 228-1
 Compressed air, water, oil


Angle mini ball valves

Art. No.	Ident No.	Thread	DN	a/f 1 mm	a/f 2 mm	L mm	G mm	H1 mm	H2 mm	S max. mm	P mm
380.01	103360	G 1/8 female	5	17	17	28.5	19.0	33.5	15.5	4.5	14.5
380.02	103361	G 1/4 female	5	17	17	28.5	19.0	33.5	17.5	4.5	14.5
380.03	103362	G 3/8 female	7	17	21	31.0	19.0	35.0	19.5	4.5	14.5



380.02