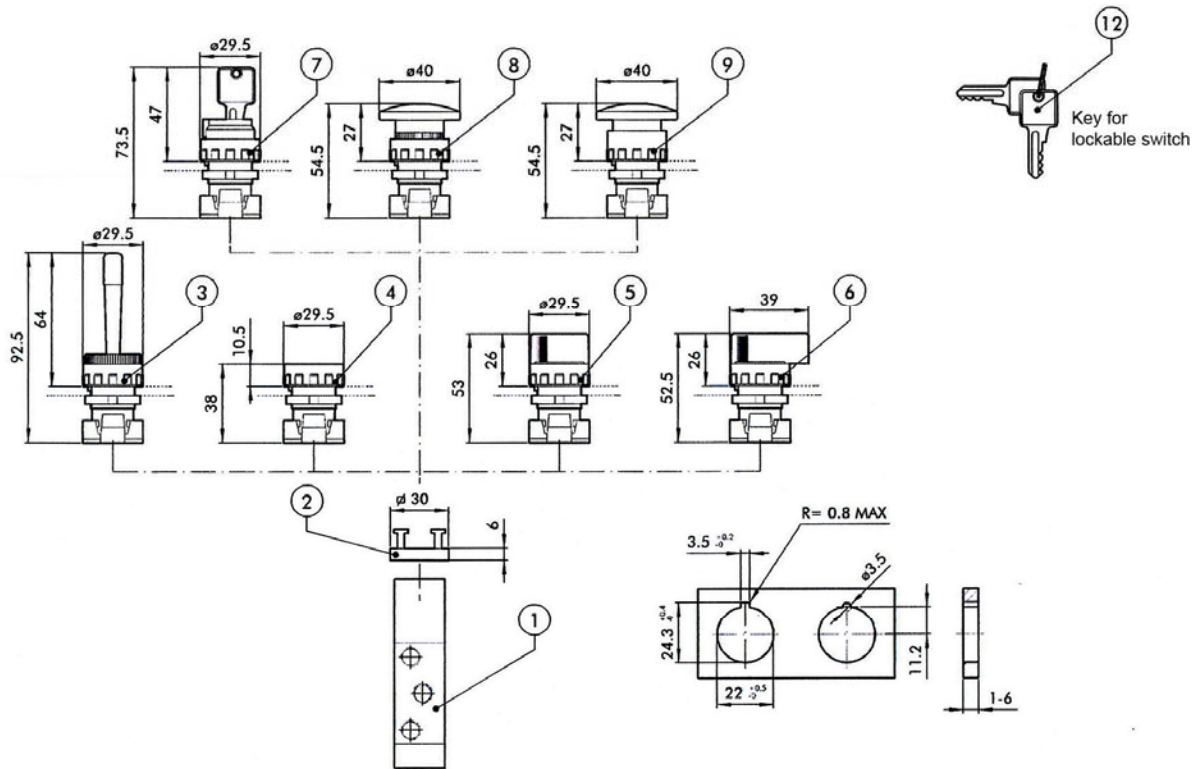


For the following way valves:  
Art. No. 512.111 to 512.704  
Art. No. 515.201 to 515.701  
Art. No. 515.211 to 515.711

Ident No. 106397 to 106416  
Ident No. 106417 to 106428  
Ident No. 106429 to 106440



### ORDERING CODES

Symbol	Ident No.	Reference	Art. No.	Description	Weight [g]
	106441	①	515.101	Pilot-assisted plunger 3/2, 1/8"	124
	106442	①	515.111	Pilot-assisted plunger 5/2, 1/8"	150
	106443	②	A2V	2 places adaptor thickness 6.8 mm	5
	106445	③	HH-M	Red handler with horizontally pivoted lever	25
	106444	④	DK-M	Fat push button + 2 red/black coloured disks	15
	106446	⑤	KDH-2M	Black selector short lever at 2 positions with return	20
	106447	⑤	KDH-2B	Black selector short lever at 2 positions	20
	106448	⑤	KDH-3M	Black selector short lever at 3 positions with return	20
	106449	⑤	KDH-3B	Black selector short lever at 3 positions	20
	106450	⑥	LDH-2M	Black selector long lever at 2 positions with return	26
	106451	⑥	LDH-2B	Black selector long lever at 2 positions	26
	106452	⑥	LDH-3M	Black selector long lever at 3 positions with return	26
	106453	⑥	LDH-3B	Black selector long lever at 3 positions	26
	106454	⑦	V2SS-JS	2 positions key selector with extractable key in 2 positions	50
	106455	⑦	V2SS-GS	2 positions key selector with extractable key in 0	50
	106456	⑧	RPT-M	Red mushroom-head push button Ø 40	27
				Black mushroom-head push button Ø 40	27
	106457	⑨	RPT-NR	Red mushroom-head push button with lock Ø 40	29

### Department eDocumentation

Phone. +49 7125 9497-41, -42, -53, -260, -330  
Fax. +49 7125 9497-99  
e-mail: [eDocumentation@riegler.de](mailto:eDocumentation@riegler.de)

edition 07/2014 Subject technical changes.

**RIEGLER & Co. KG**  
[www.riegler.net](http://www.riegler.net)