

Slip Shafts with Joints PWNR, Stainless Steel, with Needle-Roller Bearings

Material: Stainless steel 1.4301 (X5CrNi1810).

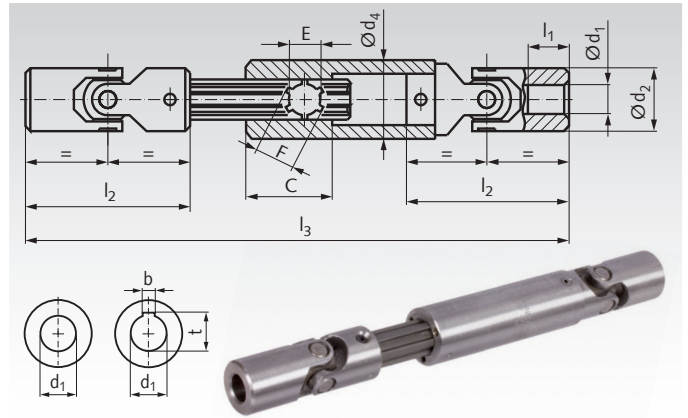
Needle bearings from bearing steel.

Max. Operating Angle per Joint 90°.

Optionally without or with keyway DIN 6885-1, on both sides.

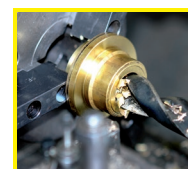
Other lengths on request.

Note: The joints must be aligned correctly. For this, there are two markings on the product. The markings must be arranged next to each other. See page 386.



Ordering Details: e.g.: Product No. 631 999 20, slip shaft PWNR, Stainless, 10 mm Bores, without Keyway

Product No. without keyw.	Product No. with keyway	d ₁ ^{H7} mm	d ₂ mm	d ₄ mm	l ₁ mm	l ₂ mm	l ₃ min. mm	l ₃ max. mm	C mm	E mm	F mm	b ^{JS9} mm	t mm	perm. max. Torques at different Speeds			Weight kg
														250 min ⁻¹ Nm	1000 min ⁻¹ Nm	3600 min ⁻¹ Nm	
631 999 20	631 999 20N	10	20	21,2	18	62	170	200	30	11	14	3	11,4	21,1	13,4	8,6	0,33
631 999 25	631 999 25N	14	25	26,5	20	74	220	270	35	13	16	5	16,3	32,6	23,0	17,3	0,58
631 999 32	631 999 32N	16	32	32,5	24	86	250	320	40	16	20	5	18,3	62	43,2	30,7	1,15
631 999 40	631 999 40N	20	40	41,5	30	108	290	360	48	21	25	6	22,8	134	96	62	2,08
631 999 50	631 999 50N	25	50	47,5	38	132	350	435	48	26	32	8	28,3	192	125	82	3,79
631 999 63	631 999 63N	30	63	60,0	45	166	400	490	48	26	32	8	33,3	288	221	134	6,00



**Reworking within
24h-service possible.
Custom made parts
on request.**