

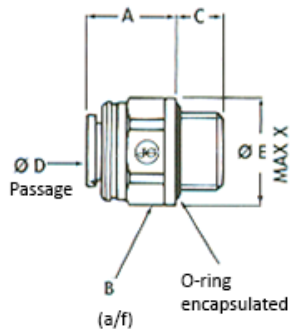
Lightweight, push-in fittings distinguished by high strength, toughness, resistance to abrasion and impact resistance - ideal for a wide range of applications.

All our push-in fittings made of POM have the following approvals:
drinking water DVGW, KTW, FDA and NSF.

Plastic and metal tubes are connected together quickly and easily. Suitable for compressed air or liquids, with good resistance to a large number of chemicals.

Measurement: With Collet(s) in release position.

Material: acetal polymer (POM)
Sealant: NBR
Working pressure: 0 to 10 bar
Operating temperature: - 25 °C to +75 °C in air
+1 °C to +65 °C in water



65.018-6

Male connectors (POM), parallel male thread with O-ring

Type No.	Art. No.	For tube O.D. mm	Thread	A mm	C mm	L1 (A+C) mm	Ø D mm	Ø E mm	a/f mm
65.018-4	110259	4	G 1/8	16.6	5.5	22.1	2.5	15.0	14
65.018-5	110260	5	G 1/8	16.6	5.5	22.1	3.5	15.0	14
65.018-6	110261	6	G 1/8	19.8	5.5	25.3	4.0	16.0	15
65.018-8	110262	8	G 1/8	20.0	5.5	25.5	4.0	18.0	17
65.014-4	110263	4	G 1/4	16.1	8.0	24.1	2.5	18.0	17
65.014-5	110264	5	G 1/4	16.1	8.0	24.1	3.5	18.0	17
65.014-6	110265	6	G 1/4	15.8	8.0	23.8	5.0	18.0	17
65.014-8	110266	8	G 1/4	16.0	8.0	24.0	6.0	18.0	17
65.014-10	110267	10	G 1/4	23.2	8.0	31.2	7.0	22.0	20
65.038-8	110268	8	G 3/8	15.8	9.3	25.1	6.5	24.0	22
65.038-10	110269	10	G 3/8	18.9	9.3	28.2	7.5	24.0	22
65.038-12	110270	12	G 3/8	21.3	9.3	30.6	8.5	26.0	24
65.038-15	135950	15	G 3/8	33,0	9.2	42.2	9.4	26.8	22
65.012-10	110271	10	G 1/2	16.5	12.5	29.0	7.5	30.0	27
65.012-12	110272	12	G 1/2	21.5	12.5	34.0	8.5	30.0	27
65.012-15	110273	15	G 1/2	25.5	12.5	38.0	12.0	30.0	27
65.012-18	110274	18	G 1/2	42.3	12.5	54.8	12.7	36.0	-
65.034-15	135951	15	G 3/4	30,0	16.2	46.2	12.0	35.0	30
65.034-22	110275	22	G 3/4	44.2	17.0	61.2	17.0	36.0	-
65.001-28	135952	28	G 1	57.5	12.5	70.0	24.5	50.5	-

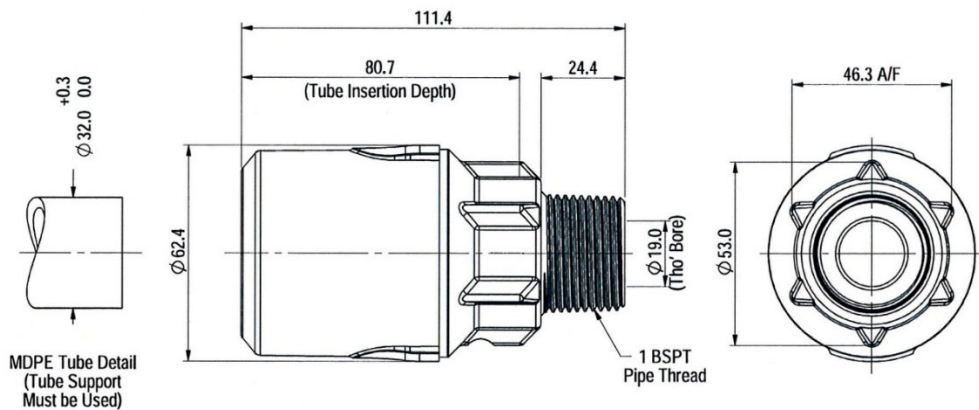
Housing:	polypropylene (PP), glasfaserverstärkt, schwarz
Coverage chuck:	acetal Co-Polymer, blue
Chuck:	acetal Co-Polymer, blue and stainless steel
Washer:	acetal Co-Polymer, blue
O-ring:	ethylene-propylene (EPDM), black

Male connectors (PP), parallel male thread with O-ring

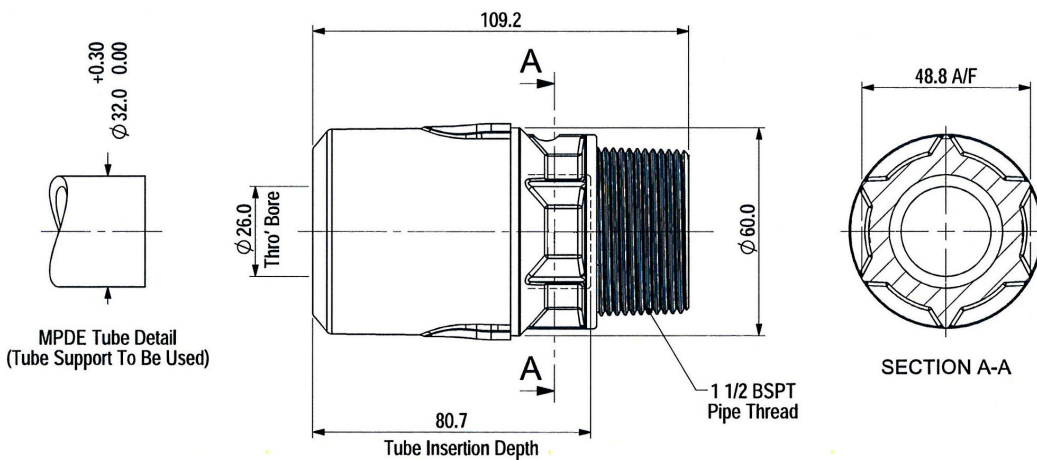
Type No.: 65.100-32
Art. No.: 110276
 Temperature: max. 20 °C
 Operating pressure: max. 16 bar

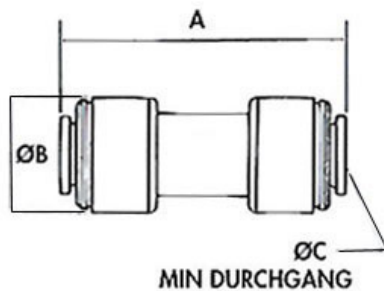


65.100-32



Type No.: 65.112-32
Art. No.: 110277
 Temperature: max. 20 °C
 Operating pressure: max. 12 bar





67.006

Unions (POM)

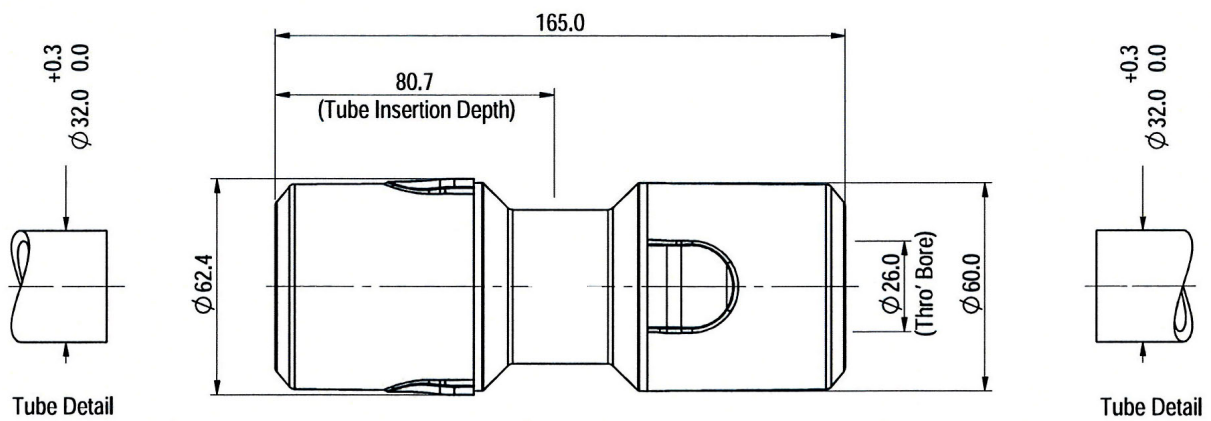
Type No.	Art. No.	For tube O.D. mm	A mm	ØB mm	ØC mm
67.004	110278	4	32.6	14.0	2.5
67.005	110279	5	32.6	14.0	3.5
67.006	110280	6	35.0	15.0	5.0
67.008	110281	8	38.0	18.0	6.5
67.010	110282	10	41.9	20.0	7.5
67.012	110283	12	53.8	23.0	8.5
67.015	110284	15	58.0	28.0	12.0
67.018	110285	18	64.1	32.0	16.0
67.022	110286	22	70.6	36.0	19.2
67.028	110287	28	90.8	50.0	23.0

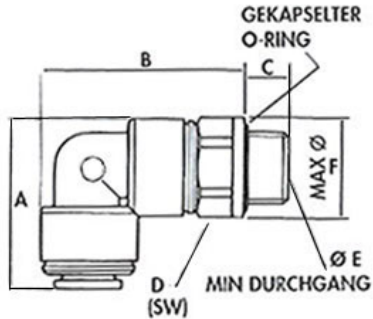
Unions (PP)

Type No.: **67.032**
 Art. No.: **110288**
 Temperature: max. 20 °C
 Operating pressure: max. 16 bar



67.032

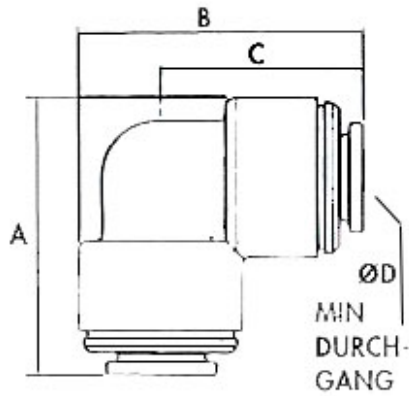




72.014-6

Male elbows (POM), parallel male thread with O-ring

Type No.	Art. No.	For tube O.D. mm	Thread	A mm	B mm	C mm	D mm	Ø E mm	Ø F mm
72.018-4	135956	4	1/8	24.0	30.0	5.5	14.0	2.5	15.0
72.018-5	135957	5	1/8	24.0	30.0	5.5	14.0	3.5	15.5
72.018-6	110289	6	1/8	27.0	39.5	15.0	15.0	4.0	16.0
72.018-8	110290	8	1/8	30.0	41.5	17.0	17.0	4.0	18.0
72.014-4	135958	4	1/4	24.0	31.0	8.0	17.0	2.5	18.0
72.014-5	135959	5	1/4	24.0	31.0	8.0	17.0	3.5	18.0
72.014-6	110291	6	1/4	27.0	43.0	17.0	17.0	4.0	18.0
72.014-8	110292	8	1/4	30.0	45.0	17.0	17.0	5.5	18.0
72.014-10	110293	10	1/4	35.0	50.0	20.0	20.0	7.0	22.0
72.038-8	110294	8	3/8	30.0	46.5	22.0	22.0	5.5	24.0
72.038-10	110295	10	3/8	35.0	46.5	22.0	22.0	7.0	24.0
72.038-12	110296	12	3/8	44.0	59.5	24.0	24.0	8.5	26.0
72.038-15	110297	15	3/8	50.6	76.8	22.0	22.0	9.4	24.0
72.012-10	110298	10	1/2	35.0	54.5	27.0	27.0	7.0	30.0
72.012-12	110299	12	1/2	44.0	62.5	27.0	27.0	8.5	30.0
72.012-15	110300	15	1/2	50.6	65.8	14.0	27.0	10.0	29.8
72.012-18	110301	18	1/2	59.7	78.2	14.0	27.0	11.7	29.8
72.012-22	135960	22	1/2	66.0	80.5	14.0	27.0	11.4	29.5
72.034-22	135961	22	3/4	66.0	84.0	16.8	37.0	15.3	39.5



68.006

Union elbows (POM)

Type No.	Art. No.	For tube O.D. mm	A mm	B mm	C mm	Ø D mm
68.004	110302	4	24.1	24.1	18.0	2.5
68.005	110303	5	24.1	24.1	18.0	3.5
68.006	110304	6	27.1	27.1	20.0	5.0
68.008	110305	8	29.9	29.9	21.0	7.5
68.010	110306	10	35.3	35.3	25.0	8.5
68.012	110307	12	44.0	44.0	32.0	8.5
68.015	110308	15	50.3	50.3	37.0	12.0
68.018	110309	18	59.7	59.7	44.0	16.0
68.022	110310	22	66.6	66.6	49.0	19.2
68.028	110311	28	87.7	87.7	60.0	24.9

Union elbows (PP)

Type No.:

Art. No.:

Temperature:

Operating pressure:

68.032

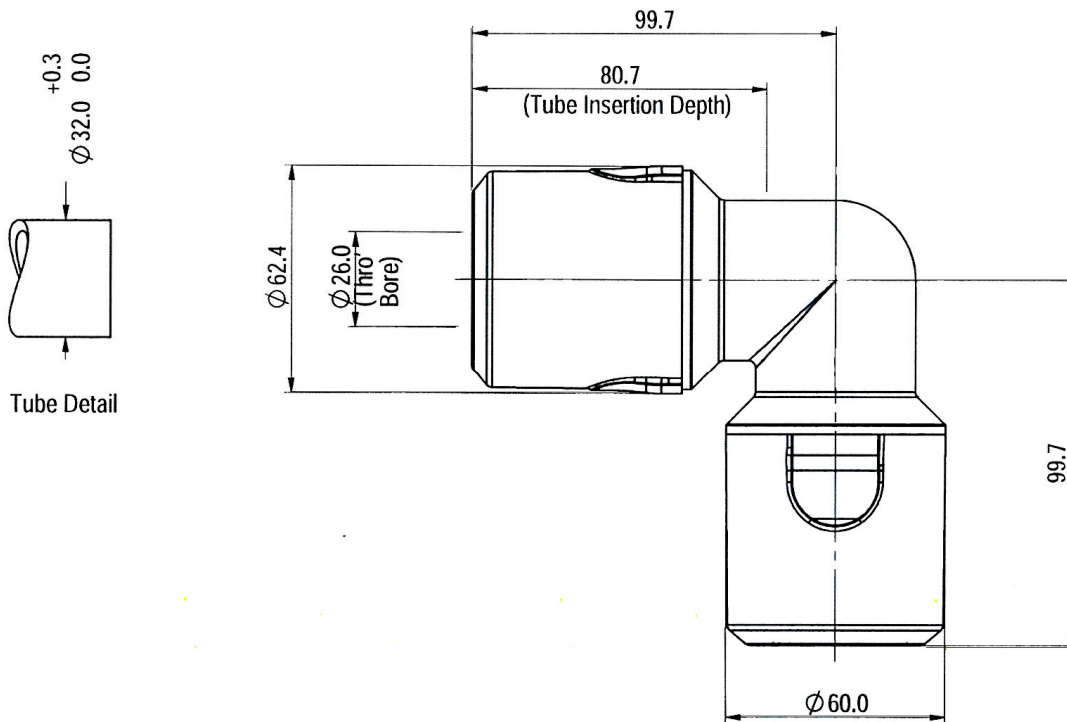
110312

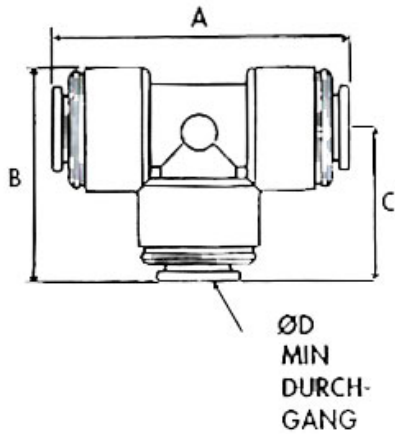
max. 20 °C

max. 16 bar



68.032





69.006

T- connectors (POM)

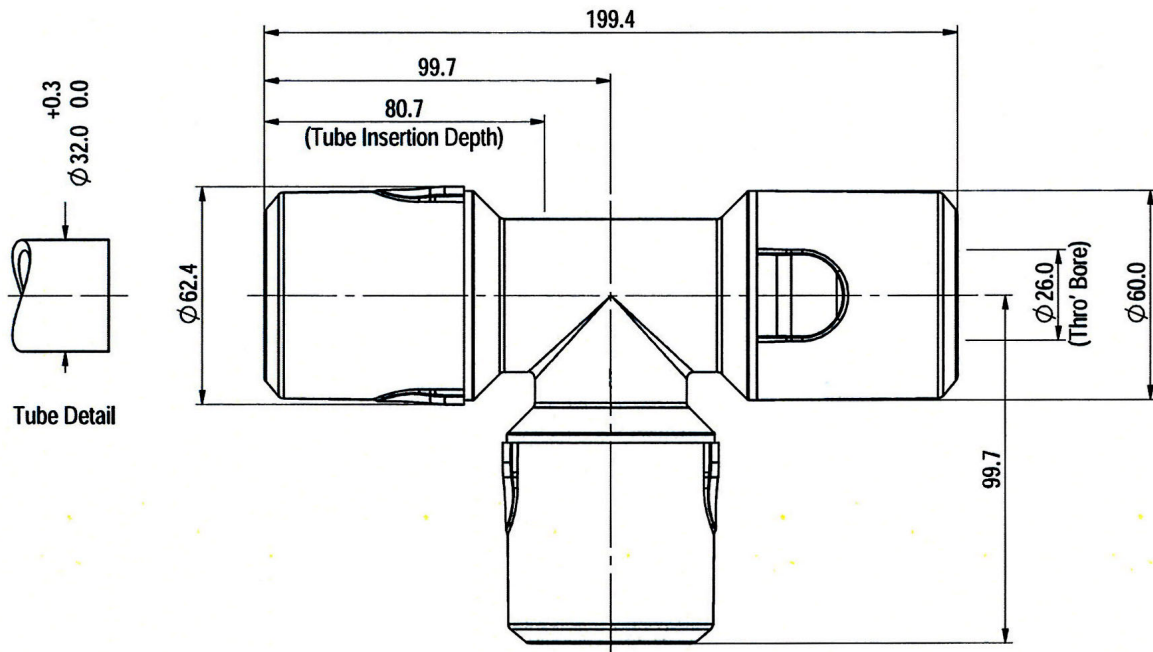
Type No.	Art. No.	For tube O.D. mm	A mm	B mm	C mm	Ø D mm
69.004	110313	4	35.2	17.6	18.5	2.5
69.005	110314	5	35.2	17.6	18.4	3.5
69.006	110315	6	39.3	19.6	20.5	5.0
69.008	110316	8	42.0	21.0	22.0	6.5
69.010	110317	10	50.7	25.4	26.3	7.5
69.012	110318	12	65.0	32.5	33.2	8.5
69.015	110319	15	74.6	37.3	38.4	12.0
69.018	110320	18	88.3	44.2	45.3	16.0
69.022	110321	22	97.7	48.9	49.6	19.2
69.028	110322	28	121.4	60.7	63.1	23.0

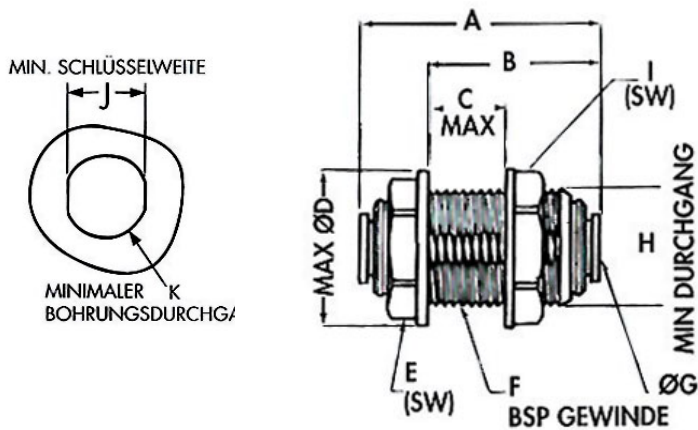
Union tees (PP)

Type No.: 69.032
Art. No.: 110323
 Temperature: max. 20 °C
 Operating pressure: max. 16 bar



69.032

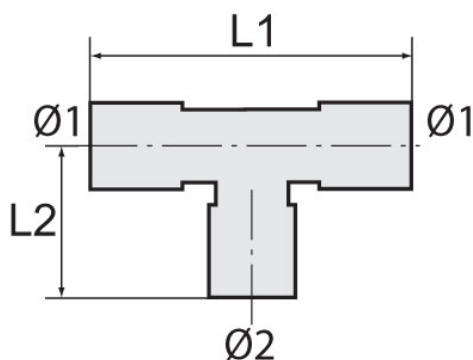




71.038-6 1

Bulkhead connectors (POM)

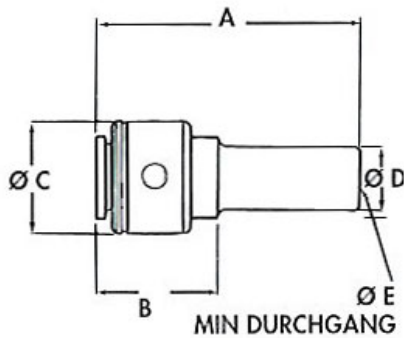
Type No.	Art. No.	For tube O.D. mm	A mm	B mm	C mm	Ø D mm	E mm	F BSP	Ø G mm	Ø H mm	I mm	J mm	Ø K mm
71.038-4	135972	4	35.0	25.0	13.5	22.9	19.0	3/8	2.5	16.5	20.0	14.8	17.0
71.038-5	135973	5	35.0	25.0	13.5	22.9	19.0	3/8	3.0	16.5	20.0	14.8	17.0
71.038-6	110324	6	34.5	25.0	13.5	22.9	19.0	3/8	5.0	16.5	20.0	15.0	17.0
71.012-8	110325	8	40.0	29.0	16.0	27.4	22.0	1/2	6.0	21.0	25.0	20.0	21.5
71.012-10	135974	10	41.0	29.0	16.0	27.4	22.0	1/2	7.5	21.0	25.0	19.5	21.5
71.034-12	135975	12	52.0	38.0	22.5	38.1	28.0	3/4	8.5	26.5	32.0	24.2	27.0



70.018-15

Union tees (POM), unequal

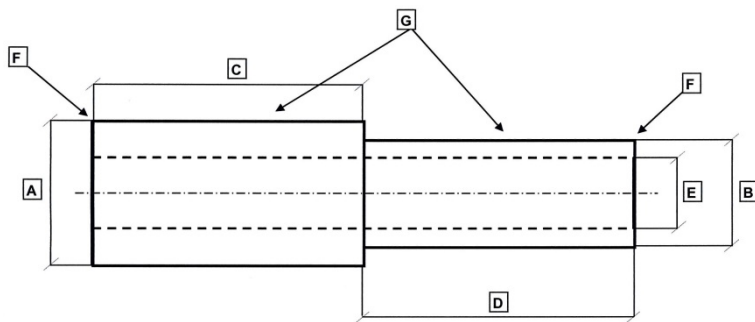
Type No.	Art. No.	For tube O.D. 1 mm	For tube O.D. 2 mm	L1 mm	L2 mm
70.018-15	110326	18	15	84.5	37.9
70.022-15	110327	22	15	90.6	41.6



77.1210

Reducers (POM)

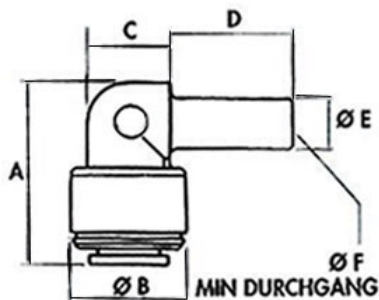
Type No.	Art. No.	Nozzle mm	For tube O.D. mm	A mm	B mm	Ø C mm	Ø D mm	Ø E mm
77.0504	136480	5.0	4	34.6	18.1	13.0	5.0	2.5
77.0604	136481	6.0	4	36.4	18.1	13.0	5.0	2.5
77.0605	136482	6.0	5	36.1	18.1	13.0	6.0	3.4
77.0804	136483	8.0	4	37.2	18.1	13.0	8.0	3.5
77.0805	136484	8.0	5	37.2	18.1	13.0	8.0	3.4
77.0806	136485	8.0	6	37.4	18.3	15.0	8.0	4.8
77.1006	136486	10.0	6	40.5	18.3	15.0	10.0	4.8
77.1008	135487	10.0	8	40.4	18.2	17.8	10.0	6.3
77.1208	110328	12.0	8	40.5	18.2	17.8	12.0	6.3
77.1210	110329	12.0	10	50.0	22.5	19.8	12.0	7.6
77.1510	110330	15.0	10	55.3	22.6	19.8	15.0	7.6
77.1512	110331	15.0	12	60.2	27.7	23.0	15.0	9.1
77.1815	110332	18.0	15	70.5	34.4	26.7	18.0	12.1
77.2215	110333	22.0	15	69.6	33.5	27.0	22.0	12.1
77.2218	110334	22.0	18	71.6	35.5	31.1	22.0	16.0
77.2815	110335	28.0	15	80.2	-	-	-	-
77.2822	110336	28.0	22	81.8	-	-	-	-



77.3222

Reducers (PP)

Type No.	Art. No.	Ø A mm	Ø B mm	C mm	D mm	Ø E mm	F mm	G mm
77.3228	110337	32	28	83.5	49.7	22	R 0.75	Ra=0.8
77.3222	110338	32	22	85.0	42.0	17	R 0.75	Ra=0.8



78.0606

Union elbows (POM)

Type No.	Art. No.	Nozzle mm	For tube O.D. mm	A mm	Ø B mm	C mm	D mm	L1 (C+D) Mm	Ø E mm	Ø F mm
78.0404	110339	4	4	22.0	13.0	9.0	17.0	26.0	4.0	2.5
78.0505	110340	5	5	22.0	13.0	9.0	17.0	26.0	5.0	3.5
78.0606	110341	6	6	25.0	15.0	11.0	18.0	29.0	6.0	4.0
78.0808	110342	8	8	27.0	18.0	13.0	19.0	32.0	8.0	5.5
78.1010	110343	10	10	32.0	20.0	13.5	22.0	35.5	10.0	7.0
78.1212	110344	12	12	39.0	23.0	18.0	28.0	46.0	12.0	8.5
78.1515	110345	15	15	42.2	27.0	18.8	33.5	52.1	15.0	10.5
78.1818	110346	18	18	41.0	31.0	21.5	35.0	56.5	18.0	16.0
78.2222	136479	22	22	67.0	35.5	-	-	58.7	-	-

Union elbows (PP)

Type No.:

78.3232

Art. No.:

110347

Temperature:

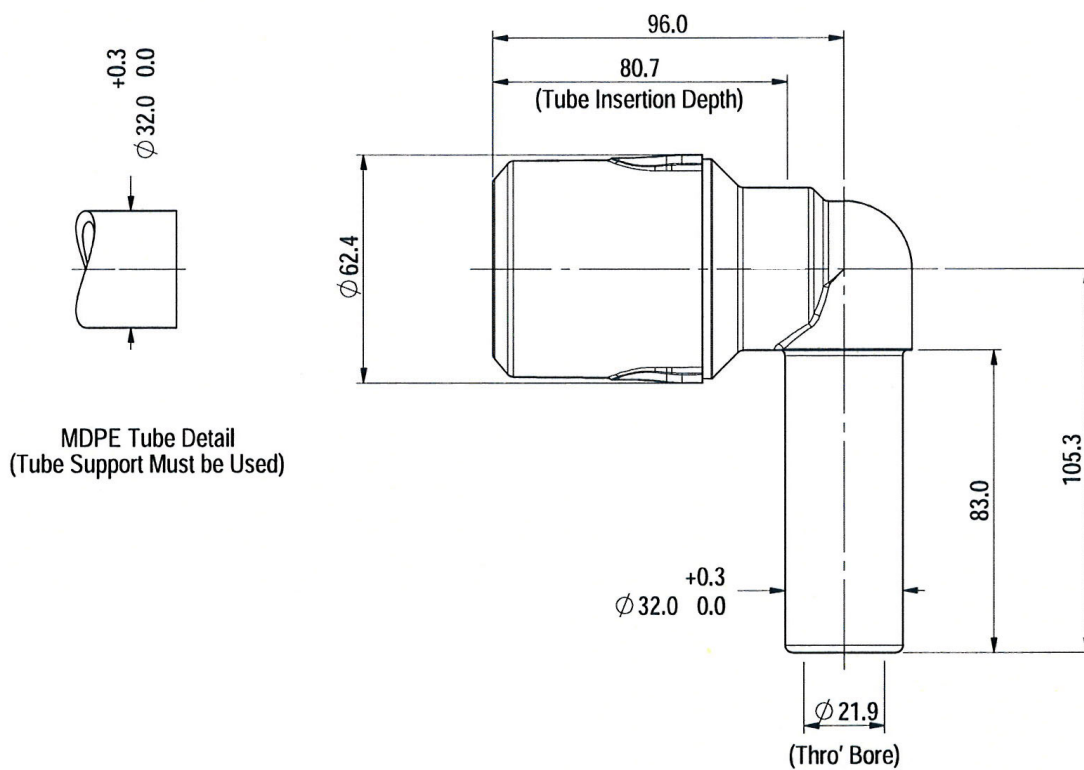
max. 20 °C

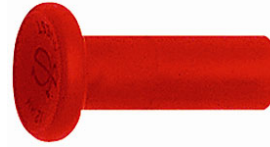
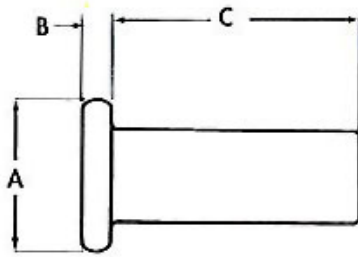
Operating pressure:

max. 12 bar



78.3232





79.006

Plugs (POM)

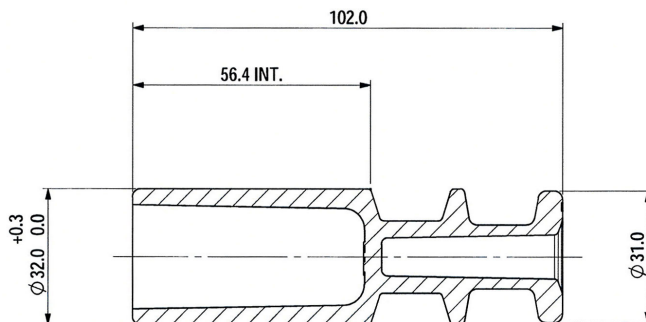
Type No.	Art. No.	Nozzle mm	Ø A mm	B mm	C mm
79.004	110348	4	12.5	3.3	25.4
79.005	110349	5	12.5	3.3	25.9
79.006	110350	6	15.0	3.8	26.2
79.008	110351	8	17.5	4.1	26.9
79.010	110352	10	19.5	4.6	31.2
79.012	110353	12	21.5	4.7	33.9
79.015	110354	15	24.9	5.0	40.0
79.018	110355	18	29.8	4.0	37.5
79.022	110356	22	31.5	4.7	40.3
79.028	110357	28	40.0	4.1	51.4

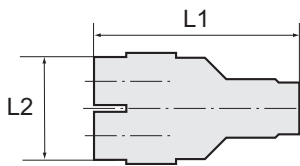
Plugs (PP)

Type No.: 79.032
Art. No.: 110358
 Temperature: max. 20 °C
 Operating pressure: max. 16 bar
 Housing: polypropylene, black



79.032

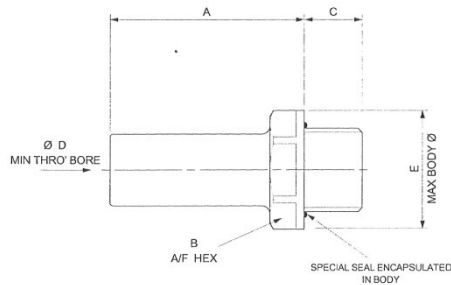




89.012

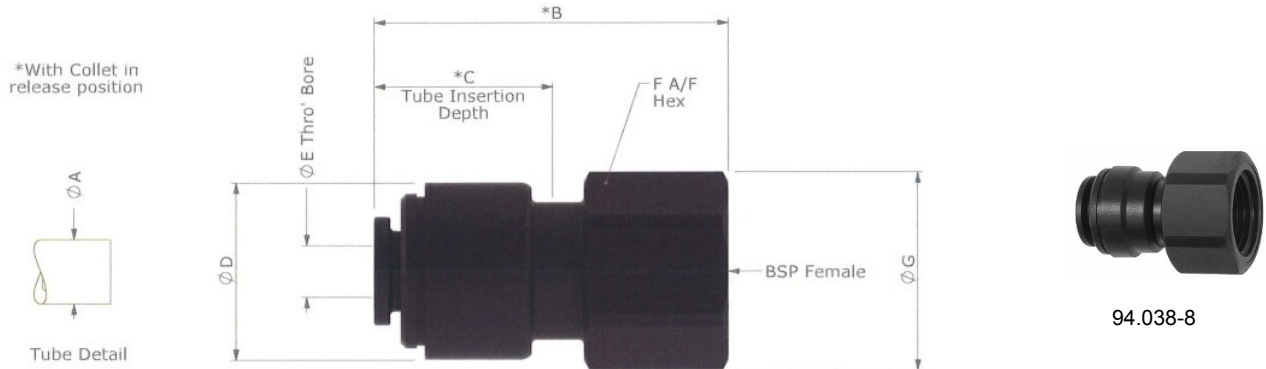
Y-connections (POM)

Type No.	Art. No.	For tube O.D. mm	Working pressure bar	L1 mm	L2 mm
89.004	136488	4	0-16	37.0	28.5
89.006	136489	6	0-16	35.5	26.8
89.008	136490	8	0-16	50.0	41.0
89.010	136491	10	0-10	46.0	39.5
89.012	136492	12	0-10	55.5	44.2
89.015	136493	15	0-10	70.3	54.8



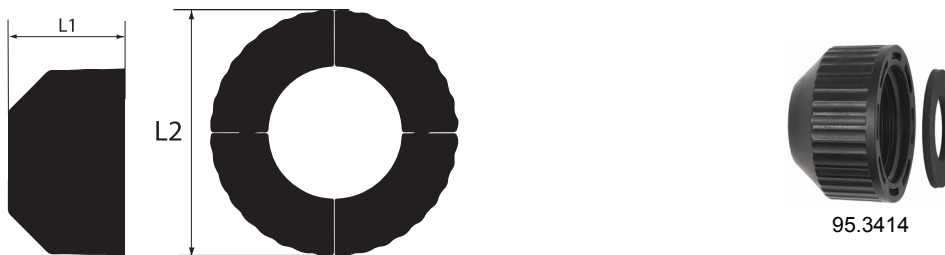
Screw-in supports (POM)

Type No.	Art. No.	For tube O.D. mm	Thread	A mm	B mm	C mm	ØD mm	ØE mm
75.018-4	136494	4	G 1/8	20.0	14.0	5.5	2.5	15.0
75.018-5	136495	5	G 1/8	20.0	14.0	5.5	3.5	15.0
75.018-6	136496	6	G 1/8	22.0	15.0	5.5	4.0	16.0
75.018-8	136497	8	G 1/8	23.0	17.0	5.5	4.0	18.0
75.014-4	136498	4	G 1/4	21.0	17.0	8.0	2.5	18.0
75.014-5	136499	5	G 1/4	21.0	17.0	8.0	3.5	18.0
75.014-6	136500	6	G 1/4	22.0	17.0	8.0	4.0	18.0
75.014-8	136501	8	G 1/4	23.0	17.0	8.0	5.5	18.0
75.014-10	136502	10	G 1/4	26.0	20.0	8.0	7.0	22.0
75.038-8	136503	8	G 3/8	23.0	22.0	9.5	5.5	24.0
75.038-10	136504	10	G 3/8	26.0	22.0	9.5	7.0	24.0
75.038-12	136505	12	G 3/8	31.0	24.0	9.5	8.5	26.0
75.038-15	136506	15	G 3/8	35.0	22.0	11.3	-	24.1
75.012-10	136507	10	G 1/2	26.0	27.0	12.5	7.0	30.0
75.012-12	136508	12	G 1/2	31.0	27.0	12.5	8.5	30.0
75.012-15	136509	15	G 1/2	35.0	27.0	14.5	-	29.8
75.012-18	136510	18	G 1/2	49.0	27.0	14.5	12.7	30.0
75.012-22	136511	22	G 1/2	50.5	27.0	14.5	12.1	30.0
75.034-22	136512	22	G 3/4	52.0	37.0	17.0	17.0	40.0



Screw-on connections (POM)

Type No.	Art. No.	For tube O.D. mm	Thread	B mm	C mm	D mm	E mm	F mm	G mm	Thread Seal Type
94.018-4	136513	4	G 1/8	27.8	14.3	13.0	2.5	14.0	15.4	O'Ring
94.018-6	136514	6	G 1/8	31.3	15.7	15.0	4.0	15.0	-	None
94.014-6	136515	6	G 1/4	32.2	15.7	16.6	4.8	17.0	18.6	O'Ring
94.014-8	136516	8	G 1/4	32.4	16.7	16.6	6.3	17.0	18.6	O'Ring
94.038-8	136517	8	G 3/8	30.8	16.8	17.8	6.3	22.0	24.0	Washer
94.034-8	136518	8	G 3/4	36.0	-	-	-	-	-	-



Thread-reducers (POM)

Type No.	Art. No.	Thread 1	Thread 2	Working pressure bar	L1 mm	L2 mm
95.3414	136519	G 3/4	G 1/4	0-16	21.0	35.0

Assembling instructions for push-in fittings

- Cut the hose ends plain. To ensure an ideal sealing effect and secure stop of the fitting make sure the hose end is not oval.
- Clean the hose ends and make sure that it is free of burrs.
- Push the hose ends into the fitting till it stops.
- Test stability by pulling the hose shortly.
- Push the release ring to release the hose.
- Pull out the hose with slight rotation.
- For a new assembling cut the hose plain again. Then pushing and releasing the tube should not be affected adversely.