

»GEKA-plus« series, brass with a bare metal surface, with KTW approval

Operating pressure

Max. 40 bar

Medium and ambient temperature

-10 °C to +90 °C

Sealant

NBR for drinking water with KTW approval after D2 and long-term test results DVGW W270

GEKA hose pieces, rigid, for drinking water

Art. No.	Ident No.	Connection	Hose nominal width	L mm
K 100-KTW	107804	Hose bore I.D. 10 mm	3/8"	28.0
K 101-KTW	107805	Hose bore I.D. 13 mm	1/2"	28.0
K 103-KTW	107806	Hose bore I.D. 19 mm	3/4"	32.0
K 104-KTW	107807	Hose bore I.D. 25 mm	1"	37.0



K 103-KTW

GEKA hose pieces with female thread, rigid, for drinking water

Art. No.	Ident No.	Connection	L mm
K 109-KTW	107808	G 3/8 female	9.5
K 110-KTW	107809	G 1/2 female	9.5
K 111-KTW	107810	G 3/4 female	10.5
K 113-KTW	107811	G 1 female	11.0
K 114-KTW	107812	G 1 1/4 female	13.5



K 113-KTW

GEKA hose pieces with male thread, rigid, for drinking water

Art. No.	Ident No.	Connection	L mm
K 109 A-KTW	107813	G 3/8 male	8.0
K 110 A-KTW	107814	G 1/2 male	8.0
K 111 A-KTW	107815	G 3/4 male	8.0
K 113 A-KTW	107816	G 1 male	8.0
K 114 A-KTW	107817	G 1 1/4 male	13.0



K 113 A-KTW

GEKA dummy coupling for drinking water

Art. No.	Ident No.	
K 118-KTW	107818	
K 118-K	107775	Chain for dummy coupling



K 118-KTW



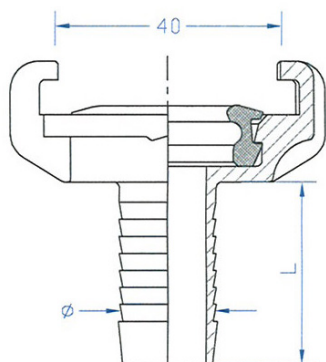
K 118-K

GEKA threaded pieces with screw connection, rigid, for drinking water

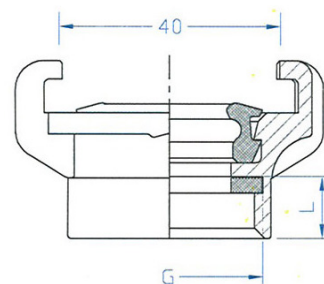
Art. No.	Ident No.	Connection
K 501-KTW	107819	I.D. 13
K 503-KTW	107820	I.D. 19
K 504-KTW	107821	I.D. 25



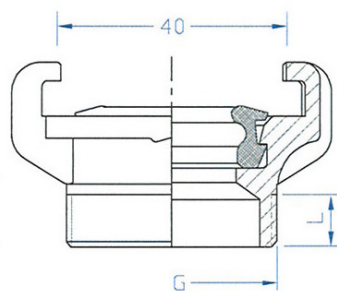
K 503-KTW



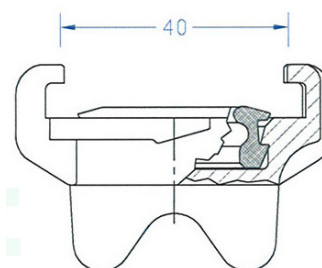
Hose piece



Female thread



Male thread



Dummy coupling