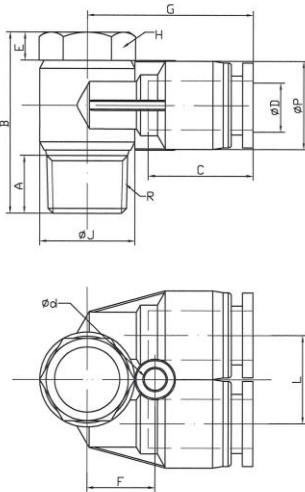


Push-in fittings series manufactured in plastic and nickel-plated brass.  
All parts are suitable for use with hoses, tubes or pipes made of plastic and copper.

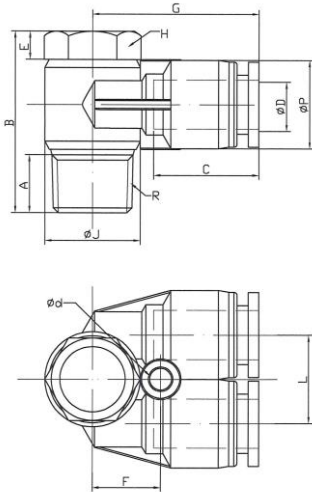
Temperature range:	-20 °C to 80 °C
Material:	Plastic and nickel-plated brass
Sleeve:	Plastic
Sealing surface:	Parallel version: O-ring in housing Conical version: PTFE thread coating
Medium:	Compressed air, neutral and safe gases and liquids*
Applications:	Air, vacuum
Recommended hose:	PU or PA (nylon)



210.014-8

**Male branch Y-elbow with outer hex, swivel type, parallel male thread with O-ring (NBR)**

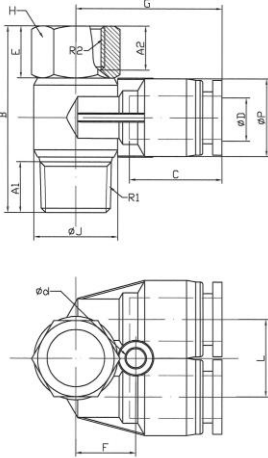
Art. No.	Type No.	ØD	Thread	Max. working pressure bar	ØP	ØJ	B	C	A	E	H	L	G	F	Ød
109625	210.005-4	4	M5	15	13.0	14.2	22.0	15.5	4.0	4.0	12	10.0	24.0	13.0	3.2
109626	210.018-6	6	G 1/8	15	13.0	14.2	25.0	15.5	5.0	4.0	12	10.0	24.0	13.0	3.2
109627	210.014-8	8	G 1/4	15	14.4	18.2	31.5	18.0	8.0	4.0	14	14.5	28.5	12.1	3.2
135654	210.014-10	10	G 1/4	15	18.4	21.8	31.8	22.0	8.0	4.5	19	18.4	33.7	14.0	3.2
109628	210.038-10	10	G 3/8	15	18.4	21.8	35.9	22.0	8.5	4.5	19	18.4	33.7	14.0	3.2
135655	210.038-12	12	G 3/8	15	21.0	28.0	38.0	23.0	8.5	5.5	24	21.0	37.5	17.0	3.2
109629	210.012-12	12	G 1/2	15	21.0	28.0	43.0	23.0	10.5	5.5	24	21.0	37.5	17.0	3.2



211.014-8

Male branch Y-elbow with outer hex, swivel type, conical male thread, coated

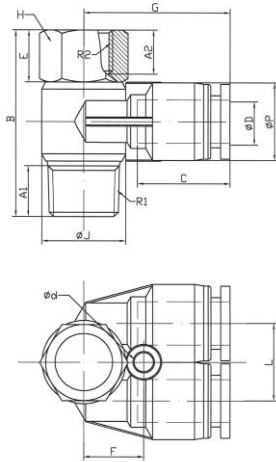
Art. No.	Type No.	ØD	Thread	Max. working pressure bar	ØP	ØJ	B	C	A	E	H	F	G	L	Ød
109630	211.018-6	6	R 1/8	15	13.0	14.2	25.0	15.5	7	4.0	12	10.0	24.0	13.0	3.2
125898	211.018-8	8	R 1/8	15	14.5	14.1	24.0	18.5	7	4.0	12	-	26.0	14.0	-
135656	211.014-6	6	R 1/4	15	13.0	14.2	27.0	15.5	9	4.0	14	10.0	24.0	13.0	3.2
109631	211.014-8	8	R 1/4	15	14.4	18.2	28.8	18.0	9	4.0	14	14.5	28.5	12.1	3.2
135657	211.014-10	10	R 1/4	15	18.4	21.8	33.8	22.0	9	4.5	19	18.4	33.7	14.0	3.2
109632	211.038-10	10	R 3/8	15	18.4	21.8	34.8	22.0	10	4.5	19	18.4	33.7	14.0	3.2
135658	211.038-12	12	R 3/8	15	21.0	28.0	39.6	23.0	10	5.5	24	21.0	37.5	17.0	3.2
109633	211.012-12	12	R 1/2	15	21.0	28.0	42.1	23.0	13	5.5	24	21.0	37.5	17.0	3.2


**212.018-6**

**Male branch Y-elbow, swivel type, parallel male and female threads with O-ring (NBR)**

Art. No.	Type No.	ØD	Thread 1	Thread 2	Max. working pressure bar	ØP	ØJ	B	C	A1	A2	E
109634	212.005-4	4	M5	M5	15	13.0	14.2	24.0	15.5	4.0	5.0	9.0
109635	212.018-6	6	G 1/8	G 1/8	15	13.0	14.2	30.0	15.5	5.0	8.5	9.0
109636	212.014-8	8	G 1/4	G 1/4	15	14.4	18.2	36.5	18.0	8.0	11.0	11.2
109637	212.038-10	10	G 3/8	G 3/8	15	18.4	21.8	43.0	22.0	8.5	12.0	12.0
109638	212.012-12	12	G 1/2	G 1/2	15	21.0	28.0	51.6	23.0	10.5	14.0	14.4

Art. No.	Type No.	H	F	G	L	Ød
109634	212.005-4	14	10.0	24.0	13.0	3.2
109635	212.018-6	14	10.0	24.0	13.0	3.2
109636	212.014-8	17	14.5	28.5	12.1	3.2
109637	212.038-10	21	18.4	33.7	14.0	3.2
109638	212.012-12	24	21.0	37.5	17.0	3.2



213.018-6

Male branch Y-elbow, swivel type, parallel female thread and conical male thread

Art. No.	Type No.	ØD	Thread 1	Thread 2	Max. working pressure bar	ØP	ØJ	B	C	A1	A2	E
109639	213.018-6	6	G 1/8	R 1/8	15	13.0	14.2	30.5	15.5	7	8.5	9.0
109640	213.014-8	8	G 1/4	R 1/4	15	14.4	18.2	36.0	18.0	9	11.0	11.2
109641	213.038-10	10	G 3/8	R 3/8	15	18.4	21.8	42.3	22.0	10	12.0	12.0
109642	213.012-12	12	G 1/2	R 1/2	15	21.0	28.0	51.0	23.0	13	14.0	14.4

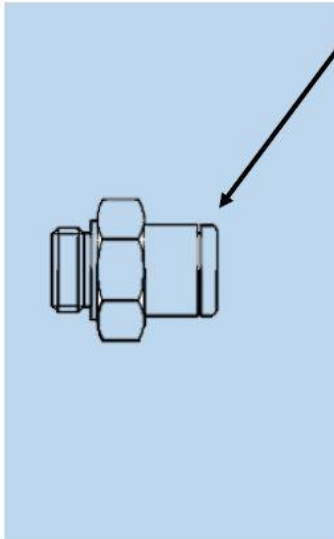
Art. No.	Type No.	H	F	G	L	Ød
109639	213.018-6	14	10.0	24.0	13.0	3.2
109640	213.014-8	17	14.5	28.5	12.1	3.2
109641	213.038-10	21	18.4	33.7	14.0	3.2
109642	213.012-12	24	21.0	37.5	17.0	3.2

### **Assembling instructions for push-in fittings**

- Cut the hose ends plain. To ensure an ideal sealing effect and secure stop of the fitting make sure the hose end is not oval.
- Clean the hose ends and make sure that it is free of burrs.
- Push the hose ends into the fitting till it stops.
- Test stability by pulling the hose shortly.
- Push the release ring to release the hose.
- Pull out the hose with slight rotation.
- For a new assembling cut the hose plain again. Then pushing and releasing the tube should not be affected adversely.

\*The suitability test for the individual application is the user's responsibility.

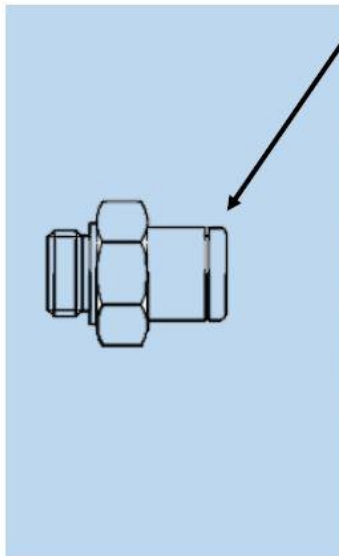
We recommend for improved strength of push-in fittings with **PA** hoses, the following push-in fitting - hose combination:



For tube O.D.	Recommended hose $\varnothing$	Recommended hose
3	3x1.5 *	259.08 X
4	4x2 *	259.09 X
5	5x3	259.10 X
6	6x4 *	259.11 X
8	8x6 *	259.12 X
10	10x7 *	259.61 X
12	12x9 *	259.14 X
14	14x11	259.62 X
16	16x12	259.25 X

\* Recommended and based on ISO 14743

We recommend for improved strength of push-in fittings with **PU** hoses, the following push-in fitting - hose combination:



For tube O.D.	Recommended hose $\varnothing$	Recommended hose
3	3x1.5 *	259.50 X
4	4x2 *	259.04 X
5	5x3	259.15 X
6	6x4 *	259.16 X
8	8x5 *	259.63 X
10	10x7 *	259.64 X
12	12x8 *	259.65 X
14	14x10	259.51 X
16	16x12	259.52 X

\* Recommended and based on ISO 14743