

Brass with a bare metal surface



## Elbows

Brass with a bare metal surface  
MS 58

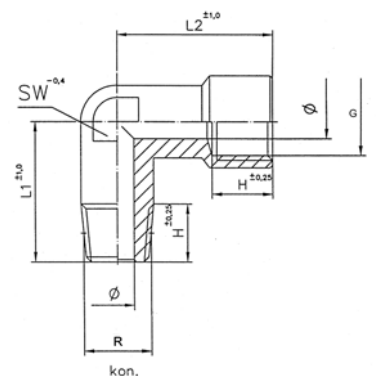
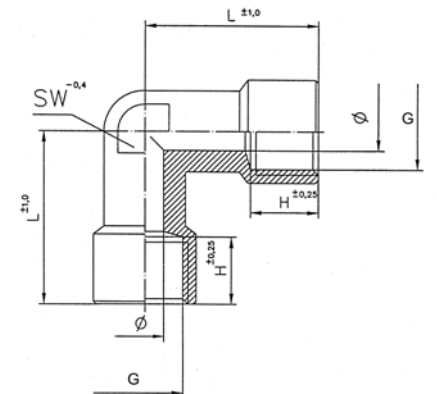
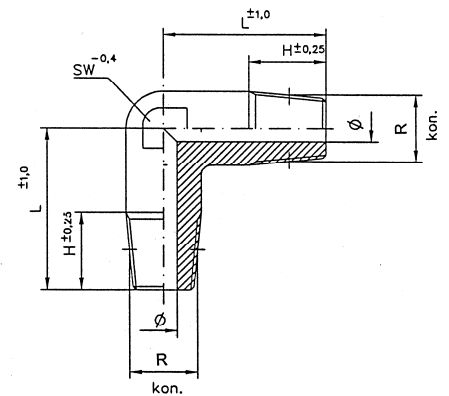
**Art. No. 253.xx**

Ident No. 112696 to 112713

**Max. 150 °C**

Parallel thread  
acc. to DIN EN ISO 228-1  
Conical thread  
acc. to DIN 2999

Art. No.	Ident No.	Thread	Dimensions					
			Ø	Op. press. (bar)	H	L	a/f	
		<b>m / m</b>						
253.00	112696	R 1/8	6.0	60	11.0	18.5		10
253.01	112697	R 1/4	8.0	60	12.0	23.5		13
253.02	112698	R 3/8	11.0	60	13.0	26.0		17
253.03	112699	R 1/2	15.0	60	15.0	31.0		21
253.04	112700	R 3/4	19.0	60	16.0	33.0		25
253.05	112701	R 1	24.0	60	18.0	39.0		30
		<b>f / f</b>						
253.11	112702	G 1/8	6.0	60	10.0	21.0		10
253.12	112703	G 1/4	8.0	60	14.0	25.5		13
253.13	112704	G 3/8	11.0	60	14.0	28.0		17
253.14	112705	G 1/2	15.0	60	16.0	33.5		21
253.32	112706	G 3/4	19.0	60	17.5	36.5		25
253.33	112707	G 1	24.0	60	21.1	45.0		30
		<b>f / m</b>				<b>L<sub>1</sub></b>	<b>L<sub>2</sub></b>	
253.15	112708	G/R 1/8	6.0	60	11.0	18.5	21.0	10
253.16	112709	G/R 1/4	8.0	60	13.0	23.5	25.5	13
253.17	112710	G/R 3/8	11.0	60	14.0	26.0	28.0	17
253.18	112711	G/R 1/2	15.0	60	16.0	31.0	33.5	21
253.19	112712	G/R 3/4	19.0	60	17.5	33.0	36.5	25
253.20	112713	G/R 1	24.0	60	20.0	39.0	45.0	30



Nickel-plated brass



Elbows

Nickel-plated brass  
MS 58

Art. No. N 253.xx

Ident No. 112738 bis 112758

Max. 150 °C

Parallel thread  
acc. to DIN EN ISO 228-1  
Conical thread  
acc. to DIN 2999

Art. No.	Ident No.	Thread	Dimensions					a/f	
			Ø	Op. press. (bar)	H	L			
		<b>m / m</b>							
N 253.50	112738	M5	-	60	4.0	11.0		9	
N 253.00	112739	R 1/8	6.0	60	11.0	18.5	10		
N 253.01	112740	R 1/4	8.0	60	12.0	23.5	13		
N 253.02	112741	R 3/8	11.0	60	13.0	26.0	17		
N 253.03	112742	R 1/2	15.0	60	15.0	31.0	21		
N 253.04	112743	R 3/4	19.0	60	16.0	33.0	25		
N 253.05	112744	R 1	24.0	60	18.0	39.0	30		
		<b>f / f</b>							
N 253.51	112745	M5	-	60	5.0	11.0		9	
N 253.11	112746	G 1/8	6.0	60	10.0	21.0	10		
N 253.12	112747	G 1/4	8.0	60	14.0	25.5	13		
N 253.13	112748	G 3/8	11.0	60	14.0	28.0	17		
N 253.14	112749	G 1/2	15.0	60	16.0	33.5	21		
N 253.32	112750	G 3/4	19.0	60	17.5	36.5	25		
N 253.33	112751	G 1	24.0	60	21.1	45.0	30		
		<b>f / m</b>				<b>L<sub>1</sub></b>	<b>L<sub>2</sub></b>		
N 253.52	112752	M5	2.0	60	4.0/6.0	11.5	11.0	9	
N 253.15	112753	G/R 1/8	6.0	60	11.0	18.5	21.0	10	
N 253.16	112754	G/R 1/4	8.0	60	13.0	23.5	25.5	13	
N 253.17	112755	G/R 3/8	11.0	60	14.0	26.0	28.0	17	
N 253.18	112756	G/R 1/2	15.0	60	16.0	31.0	33.5	21	
N 253.19	112757	G/R 3/4	19.0	60	17.5	33.0	36.5	25	
N 253.20	112758	G/R 1	24.0	60	20.0	39.0	45.0	30	

© Riegler 10-10