

»GEKA-plus« series, brass with a bare metal surface

Claw couplings (claw distance: 40 mm) made of brass for water, industrial, mortar, suction and discharge hoses. Suitable for a wide range of applications, e.g. industrial plant engineering, civil and structural engineering, environmental engineering, manual trades, domestic water engineering, horticulture and landscaping, agriculture and forestry, etc.

Available in a rigid or 360° swivelling version. The two systems can also be easily coupled to one another!

| | |
|--------------------------------|------------------|
| Operating pressure | Max. 40 bar |
| Medium and ambient temperature | -10 °C to +90 °C |
| Sealant | NBR |

GEKA hose pieces, rigid

| Art. No. | Ident No. | Connection | Hose nominal width | L mm |
|----------|-----------|----------------------|--------------------|------|
| K 100 | 107753 | Hose bore I.D. 10 mm | 3/8" | 28.0 |
| K 101 | 107754 | Hose bore I.D. 13 mm | 1/2" | 28.0 |
| K 102 | 107755 | Hose bore I.D. 16 mm | 5/8" | 32.0 |
| K 103 | 107756 | Hose bore I.D. 19 mm | 3/4" | 32.0 |
| K 104 | 107757 | Hose bore I.D. 25 mm | 1" | 37.0 |
| K 106 | 107758 | Hose bore I.D. 32 mm | 1 1/4" | 48.0 |
| K 107 | 107759 | Hose bore I.D. 38 mm | 1 1/2" | 48.0 |



K 103

GEKA threaded pieces with female thread, rigid

| Art. No. | Ident No. | Connection | L mm |
|----------|-----------|----------------|------|
| K 108 | 107760 | G 1/4 female | 9.5 |
| K 109 | 107761 | G 3/8 female | 9.5 |
| K 110 | 107762 | G 1/2 female | 9.5 |
| K 111 | 107763 | G 3/4 female | 10.5 |
| K 113 | 107764 | G 1 female | 11.0 |
| K 114 | 107765 | G 1 1/4 female | 13.5 |
| K 116 | 107766 | G 1 1/2 female | 14.0 |



K 113

GEKA threaded pieces with male thread, rigid

| Art. No. | Ident No. | Connection | L mm |
|----------|-----------|--------------|---------|
| K 119 | 107767 | G 1/4 male | 8.0 |
| K 109 A | 107768 | G 3/8 male | 8.0 |
| K 110 A | 107769 | G 1/2 male | 8.0 |
| K 111 A | 107770 | G 3/4 male | 8.0 |
| K 113 A | 107771 | G 1 male | 8.0 |
| K 114 A | 107772 | G 1 1/4 male | 13.0 |
| K 116 A | 107773 | G 1 1/2 male | 13.0 |



K 113 A



K 118



K 118-K

GEKA dummy couplings

| Art No. | Ident No. | |
|---------|-----------|--------------------------|
| K 118 | 107774 | |
| K 118-K | 107775 | Chain for dummy coupling |

GEKA hose pieces, 360° swivelling

| Art. No. | Ident No. | Connection | Hose nominal width | L mm |
|----------|-----------|----------------------|--------------------------|---------|
| K 201 | 107776 | Hose bore I.D. 13 mm | 1/2" | 61.0 |
| K 203 | 107777 | Hose bore I.D. 19 mm | 3/4" | 66.0 |
| K 204 | 107778 | Hose bore I.D. 25 mm | 1" | 71.0 |
| K 206 | 107779 | Hose bore I.D. 32 mm | 1 1/4" | 81.0 |



K 203

GEKA elbow hose pieces, 360° swivelling

| Art. No. | Ident No. | Connection | Hose nominal width | L mm |
|----------|-----------|----------------------|--------------------------|---------|
| K 301 | 107780 | Hose bore I.D. 13 mm | 1/2" | 60.0 |
| K 303 | 107781 | Hose bore I.D. 19 mm | 3/4" | 65.0 |
| K 304 | 107782 | Hose bore I.D. 25 mm | 1" | 74.0 |
| K 306 | 107783 | Hose bore I.D. 32 mm | 1 1/4" | 90.0 |



K 303

GEKA threaded pieces with female thread, 360° swivelling

| Art. No. | Ident No. | Connection | L mm | a/f mm |
|----------|-----------|--------------|---------|-----------|
| K 210 | 107784 | G 1/2 female | 45.0 | 30 |
| K 211 | 107785 | G 3/4 female | 44.0 | 32 |
| K 213 | 107786 | G 1 female | 46.0 | 38 |



K 211

GEKA threaded pieces with male thread, 360° swivelling

| Art. No. | Ident No. | Connection | L mm | a/f mm |
|----------|-----------|------------|---------|-----------|
| K 210 A | 107787 | G 1/2 male | 56.0 | 30.0 |
| K 211 A | 107788 | G 3/4 male | 56.0 | 32.0 |
| K 213 A | 107789 | G 1 male | 58.0 | 38.0 |



K 211 A

GEKA hose pieces, rigid, safety version with screw-ring

| Art. No. | Ident No. | Connection | Hose nominal width | L1 mm | L mm |
|----------|-----------|----------------------|--------------------------|----------|---------|
| K 401 | 107790 | Hose bore I.D. 13 mm | 1/2" | 31.0 | 67.0 |
| K 403 | 107791 | Hose bore I.D. 19 mm | 3/4" | 35.0 | 71.0 |
| K 404 | 107792 | Hose bore I.D. 25 mm | 1" | 42.0 | 76.0 |
| K 406 | 107793 | Hose bore I.D. 32 mm | 1 1/4" | 46.0 | 82.0 |



K 403

GEKA threaded pieces with male thread, rigid, safety version with screw-ring

| Art. No. | Ident No. | Connection | t1 mm | L mm |
|----------|-----------|------------|----------|---------|
| K 411 A | 107794 | G 3/4 male | 10.0 | 60.0 |
| K 413 A | 107795 | G 1 male | 10.0 | 62.0 |



K 411 A

GEKA-branch pieces

| Art. No. | Ident No. | Connection |
|----------|-----------|----------------------------------|
| K 601 | 107796 | 1 x G 3/4 female, 2 x G 3/4 male |
| K 611 | 107797 | 3 x GEKA-couplings |



K 601



K 611

GEKA nozzles with hose stem

| Art. No. | Ident No. | Connection |
|----------|-----------|------------|
| K 701 | 107798 | I.D. 13 |
| K 703 | 107799 | I.D. 19 |
| K 704 | 107800 | I.D. 25 |



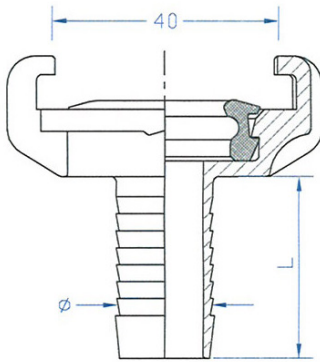
K 703

GEKA nozzles with coupling connection

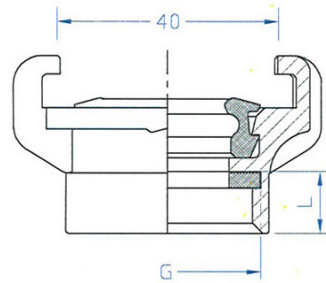
| Art. No. | Ident No. | DN |
|----------|-----------|----|
| K 711 | 107801 | 13 |
| K 713 | 107802 | 19 |
| K 714 | 107803 | 25 |



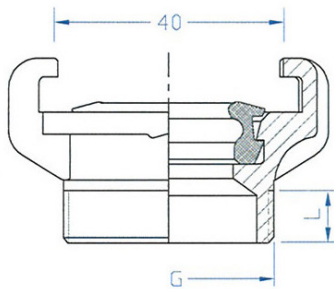
K 713



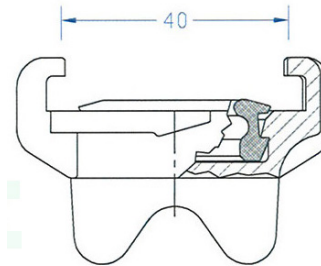
Hose piece



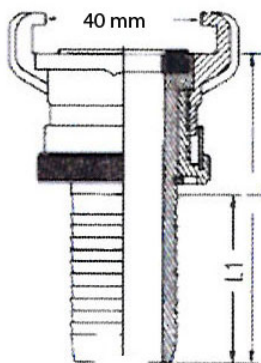
Female thread



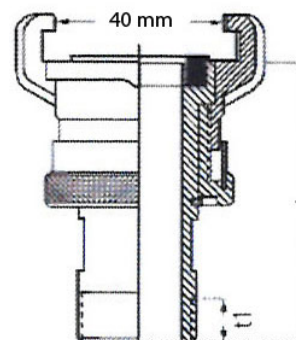
Male thread



Dummy coupling



Hose piece, safety version with screw-ring



Threaded piece, safety version with screw-ring