

## Precision Universal Joints similar to DIN 808, Stainless Steel, with Needle-Roller Bearings

The needle-bearing universal joints have almost zero backlash, high accuracy and good turning properties. These special needle-rollers without cage can take high loads even at large operating angles. A special grinding process realizes a perfect

parallelism of the axes and the single parts of the joints - which guarantees an extremely long service life.

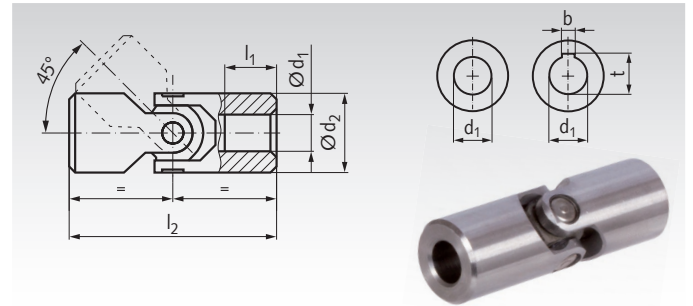
### Single, Precision Universal Joints WENR, Stainless Steel, with Needle-Roller Bearings

**Material:** Stainless steel 1.4301 (X5CrNi1810).  
Needle bearings from bearing steel.



Max. Operating Angle 45°.

Optionally without or with keyway DIN 6885-1, on both sides.



Ordering Details: e.g.: Product No. 631 991 22, Precision, Universal Joint WENR stainless, 10 mm Bores, without Keyway

Product No. without keyway	Product No. with keyway	d <sub>1</sub> <sup>H7</sup> mm	d <sub>2</sub> mm	l <sub>1</sub> mm	l <sub>2</sub> mm	b <sup>JS9</sup> mm	t mm	perm. max. Torques at different Speeds			Weight kg
								250 min <sup>-1</sup> Nm	1000 min <sup>-1</sup> Nm	3600 min <sup>-1</sup> Nm	
631 991 22	631 991 22N	10	20	18	62	3	11,4	21,1	13,4	8,6	0,10
631 991 26	631 991 26N	14	25	20	74	5	16,3	32,6	23,0	17,3	0,18
631 991 32	631 991 32N	16	32	24	86	5	18,3	62	43,2	30,7	0,33
631 991 40	631 991 40N	20	40	30	108	6	22,8	134	96	62	0,71
631 991 50	631 991 50N	25	50	38	132	8	28,3	192	125	82	1,33
631 991 63	631 991 63N	30	63	45	166	8	33,3	288	221	134	2,78

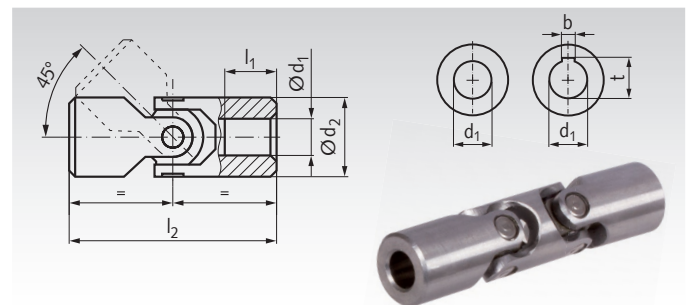
### Double, Precision Universal Joints WDNR, Stainless Steel, with Needle-Roller Bearings

**Material:** Stainless steel 1.4301 (X5CrNi1810).  
Needle bearings from bearing steel.



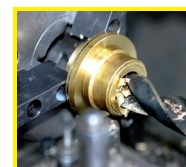
Max. Operating Angle 90°.

Optionally without or with keyway DIN 6885-1, on both sides.



Ordering Details: e.g.: Product No. 631 996 20, Precision Universal Joint WDNR stainless, 10 mm Bores, without Keyway

Product No. without keyway	Product No. with keyway	d <sub>1</sub> <sup>H7</sup> mm	d <sub>2</sub> mm	l <sub>1</sub> mm	l <sub>3</sub> mm	l <sub>4</sub> mm	b <sup>JS9</sup> mm	t mm	perm. max. Torques at different Speeds			Weight kg
									250 min <sup>-1</sup> Nm	1000 min <sup>-1</sup> Nm	3600 min <sup>-1</sup> Nm	
631 996 20	631 996 20N	10	20	18	88	26	3	11,4	21,1	13,4	8,6	0,14
631 996 26	631 996 26N	14	25	19	104	33	5	16,3	32,6	23,0	17,3	0,24
631 996 32	631 996 32N	16	32	24	125	39	5	18,3	62	43,2	30,7	0,52
631 996 40	631 996 40N	20	40	30	156	48	6	22,8	134	96	62	1,01
631 996 50	631 996 50N	25	50	37	188	59	8	28,3	192	125	82	1,63
631 996 63	631 996 63N	30	63	41	238	80	8	33,3	288	221	134	3,90



**Reworking within  
24h-service possible.  
Custom made parts  
on request.**