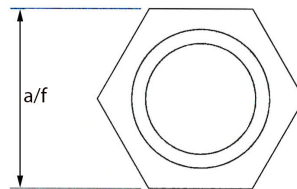
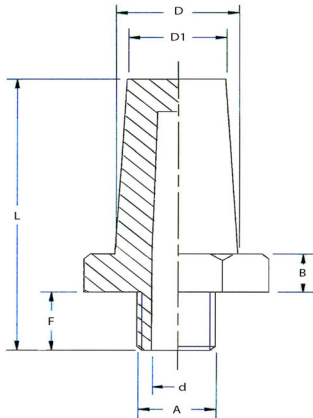


For reducing the exhaust noise generated by pneumatic equipment.

Operating pressure: 0 to 8.0 bar
 Operating temperature: -10 °C to +250 °C
 Noise reduction: ≥ 20 dB(A)
 Pore size: 50 μ m



567-2

Sintered bronze silencer, with hexagon nut

Art. No.	Type No.	Thread A	F	d	D	D1	a/f	B	L
113338	567-1	G 1/8	6.0	4.0	10.0	8.0	13	4.0	28.0
113339	567-2	G 1/4	8.0	6.0	14.0	12.0	17	4.0	34.0
113340	567-3	G 3/8	10.0	9.0	16.5	15.0	22	5.0	36.0
113341	567-4	G 1/2	12.0	12.0	20.5	19.0	27	7.0	44.0
113342	567-5	G 3/4	14.0	16.0	24.0	22.0	32	10.0	54.0
113343	567-6	G 1	16.0	22.0	31.0	28.0	41	10.0	66.0

Noise level at 6 bar

Art. No.	Type No.	< dB1	< dB2	$\geq \Delta$ dB
113338	567-1	110.6	73.2	37.4
113339	567-2	112.8	81.0	31.8
113340	567-3	113.4	85.2	28.2
113341	567-4	115.6	78.3	37.3
113342	567-5	117.1	91.7	25.4
113343	567-6	122.3	98.8	23.5

dB1 = Noise level without silencer
 dB2 = Noise level with silencer
 Δ dB = Noise reduction

- The use of silencers does not automatically reduce exhaust noise to a safe level.
The need for other noise-reducing measures, such as hearing protection, must be assessed as well.

- Uses and applications are the responsibility of the user. However, it is necessary to carry out appropriate tests before use in order to convince yourself of the desired function under the respective conditions.
All further claims, in particular liability for consequential damages, are excluded in principle.