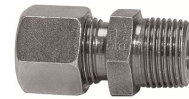
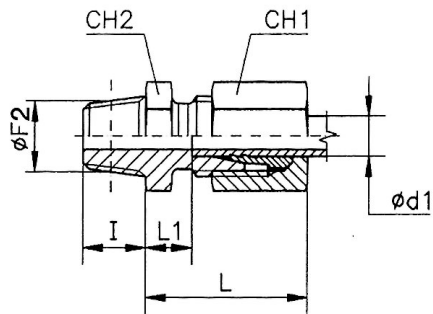


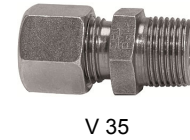
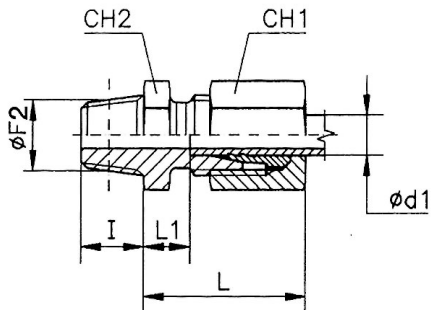
Material: Galvanised steel (DIN 2353)



V 24

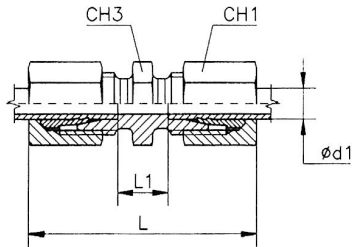
**Male connector**, conical male thread acc. to ISO 7-1, very light type

Art. No.	Type No.	Tube O.D.	PN	$\phi F2$ Thread	I	L	L1	CH1	CH2
112121	V 21	4	100	R 1/8	8.0	18.0	8.0	10	11
112122	V 22	5	100	R 1/8	8.0	18.0	6.5	12	11
112123	V 23	6	100	R 1/8	8.0	18.0	6.5	12	11
112124	V 24	8	100	R 1/8	8.0	20.0	8.5	14	12



**Male connector**, conical male thread acc. to ISO 7-1, light type

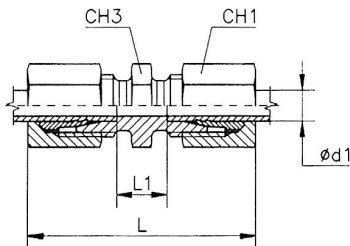
Art. No.	Type No.	Tube O.D.	PN	Ø F2 Thread	I	L	L1	CH1	CH2
112125	V 25	6	315	R 1/8	10.0	23.0	7.0	14	12
112127	V 28	6	315	R 1/4	13.0	24.0	8.0	14	17
112131	V 33	6	315	R 3/8	13.0	20.0	9.0	19	14
112126	V 26	8	315	R 1/8	10.0	25.0	8.0	17	14
112128	V 29	8	315	R 1/4	13.0	25.0	8.0	17	17
112132	V 34	8	315	R 3/8	13.0	26.0	9.0	17	19
112136	V 38	8	315	R 1/2	16.0	26.0	9.0	17	22
112129	V 30	10	315	R 1/4	13.0	26.0	9.0	19	17
112133	V 35	10	315	R 3/8	13.0	27.0	10.0	19	19
112137	V 39	10	315	R 1/2	16.0	27.0	10.0	19	22
112130	V 31	12	315	R 1/4	13.0	27.0	10.0	22	19
112134	V 36	12	315	R 3/8	13.0	27.0	10.0	22	19
112138	V 40	12	315	R 1/2	16.0	27.0	10.0	22	22
112135	V 37	15	315	R 3/8	13.0	29.0	11.0	27	24
112139	V 41	15	315	R 1/2	16.0	29.0	11.0	27	24
112140	V 42	18	315	R 1/2	16.0	31.0	11.5	32	27
112141	V 43	18	160	R 3/4	18.0	32.0	11.5	32	32
112142	V 44	22	160	R 3/4	18.0	33.0	13.5	36	32



V 53

### Union, very light type

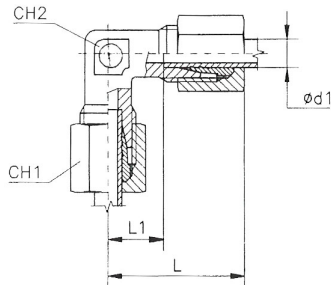
Art. No.	Type No.	Tube O.D.	PN	L	L1	CH1	CH3
112143	V 50	4	100	31.0	12.0	10	9
112144	V 51	5	100	32.0	9.0	12	11
112145	V 52	6	100	32.0	9.0	12	11
112146	V 53	8	100	35.0	12.0	14	12



V 55

### Union, light type

Art. No.	Type No.	Tube O.D.	PN	L	L1	CH1	CH3
112147	V 54	6	315	39.0	10.0	14	12
112148	V 55	8	315	40.0	11.0	17	14
112149	V 56	10	315	42.0	13.0	19	17
112150	V 57	12	315	43.0	14.0	22	19
112151	V 58	15	315	46.0	16.0	27	24
112152	V 59	18	315	48.0	16.0	32	27
112153	V 60	22	160	52.0	20.0	36	32

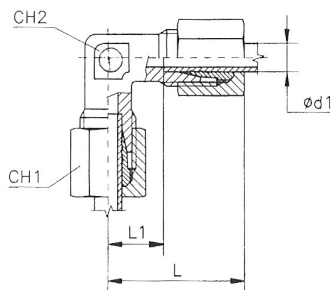


V 73

**Union elbow, very light type**

Art. No.	Type No.	Tube O.D.	PN	L	L1	CH1	CH2
112154	V 70	4	100	21.0	11.0	10	9
112155	V 71	5	100	21.0	9.5	12	9
112156	V 72	6	100	21.0	9.5	12	9
112157	V 73	8	100	23.0	11.5	14	12

Approximate dimensions with tightened nut.



V 75

**Union elbow, light type**

Art. No.	Type No.	Tube O.D.	PN	L	L1	CH1	CH2
112158	V 74	6	315	27.0	12.0	14	12
112159	V 75	8	315	29.0	14.0	17	12
112160	V 76	10	315	30.0	15.0	19	14
112161	V 77	12	315	32.0	17.0	22	17
112162	V 78	15	315	36.0	21.0	27	19
112163	V 79	18	315	40.0	23.5	32	24
112164	V 80	22	160	44.0	27.5	36	27

Approximate dimensions with tightened nut.