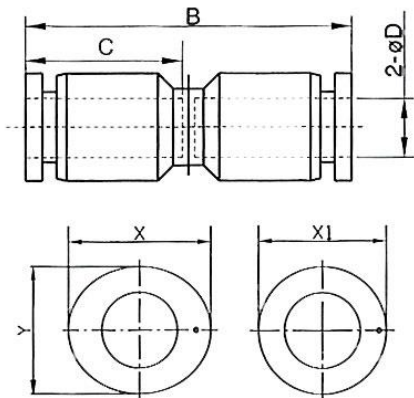


Push-in fittings series manufactured in plastic and nickel-plated brass.
All parts are suitable for use with hoses, tubes or pipes made of plastic and copper.

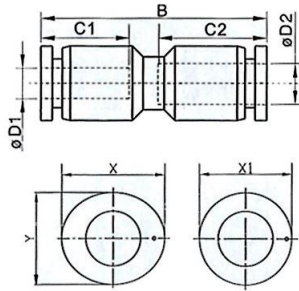
Areas of application:	Air, vacuum
Material:	Plastic and nickel-plated brass
Pressure ring:	Plastic
Temperature range:	-20 °C to 80 °C
Sealing surface:	Parallel version: O-ring in housing Conical version: PTFE thread coating
Medium:	Compressed air, neutral and safe gases and liquids*
Recommended hose:	PU or PA (nylon)



135.008

Union

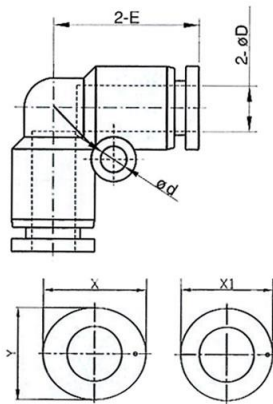
Art. No.	Type No.	Ø D	Max. working pressure bar	B	X	Y	X1	C
109793	135.004	4	10	33.0	11.9	10.5	10.0	14.9
109794	135.006	6	10	34.6	13.9	12.5	12.0	15.4
109795	135.008	8	10	38.5	15.9	13.9	14.0	18.2
109796	135.010	10	10	47.0	19.5	17.0	17.0	21.0
109797	135.012	12	10	48.6	23.0	20.5	20.0	22.9
109798	135.014	14	10	48.7	-	-	-	21.0
109799	135.016	16	10	64.0	27.0	24.0	26.0	32.0
109799 = discontinued product. No longer available. New product 152122 (135.016-1)								
152122	135.016-1	16	10	49.6	-	-	-	24.8



136.0806

Union, unequal

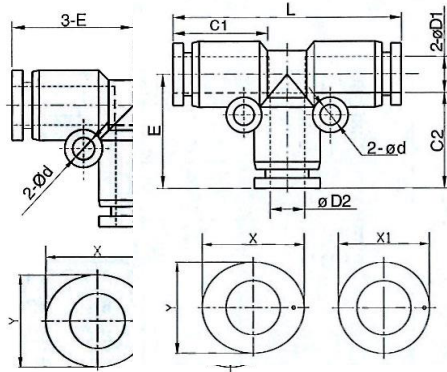
Art. No.	Type No.	Ø D1	Ø D2	Max. working pressure bar	B	X	Y	X1	C1	C2
109800	136.0604	6	4	10	31.0	12.0	10.5	10.0	15.4	14.9
109801	136.0804	8	4	10	36.5	-	-	-	18.0	15.5
109802	136.0806	8	6	10	34.5	14.0	12.5	12.0	17.8	15.4
109803	136.1006	10	6	10	40.2	-	-	-	19.3	15.6
109804	136.1008	10	8	10	39.4	17.0	13.9	14.0	21.0	17.8
109805	136.1208	12	8	10	45.0	-	-	-	21.0	18.0
109806	136.1210	12	10	10	44.2	20.0	17.0	17.0	22.9	21.0
109807	136.1612	16	12	10	63.0	23.0	20.5	27.0	19.1	19.0



137.008

Union elbow

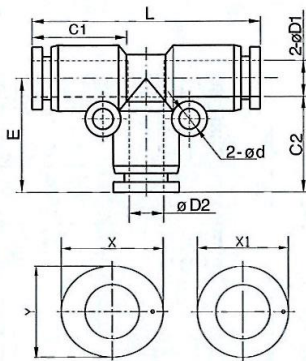
Art. No.	Type No.	Ø D	Max. working pressure bar	Ø d	E	X	Y	X1	C
109814	137.004	4	10	-	17.5	11.9	10.5	10.0	14.9
109815	137.006	6	10	3.2	18.7	13.9	12.5	12.0	15.4
109816	137.008	8	10	3.2	22.4	15.9	13.9	14.0	17.8
109817	137.010	10	10	4.2	27.2	19.5	17.0	17.0	20.7
109818	137.012	12	10	4.3	28.9	23.0	20.5	20.0	22.9
109819	137.014	14	10	4.0	29.8	-	-	-	22.5
109820	137.016	16	10	-	33.0	26.0	24.0	26.0	-



138.008

Union tee

Art. No.	Type No.	Ø D	Max. working pressure bar	Ø d	E	X	Y	X1	C
109827	138.004	4	15	3.3	18.5	11.9	10.5	10.0	14.9
109828	138.006	6	15	3.3	19.0	13.9	12.5	12.0	15.4
109829	138.008	8	15	3.3	22.5	15.9	13.9	14.0	17.8
109830	138.010	10	15	4.3	27.9	19.5	17.0	17.0	21.0
109831	138.012	12	15	4.3	29.3	23.0	20.5	20.0	22.9
109832	138.014	14	15	4.0	31.0	-	-	-	22.5
109833	138.016	16	15	4.0	32.5	27.0	24.0	26.0	21.5



138.0604

Union tee, unequal

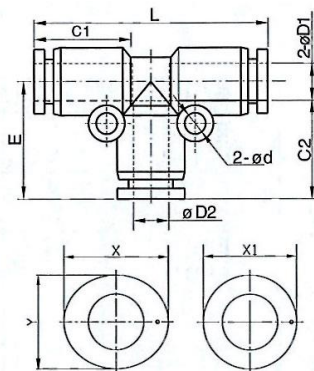
Art. No.	Type No.	Max. working pressure bar	C1	C2	Ø d	E	L	Ø D1	Ø D2	X	Y	X1
109835	138.0604	15	15.4	14.9	3.3	19.0	-	6	4	13.9	12.0	10.0
109837	138.0804	15	18.0	15.5	3.2	-	-	8	4	-	-	-
109838	138.0806	15	17.8	15.4	3.3	22.5	-	8	6	15.9	14.0	12.0
109840	138.1006	15	22.0	15.5	4.2	-	-	10	6	-	-	-
109841	138.1008	15	21.0	17.8	4.3	27.9	-	10	8	19.5	17.0	14.0
109843	138.1208	15	23.0	18.0	4.2	-	-	12	8	-	-	-
109844	138.1210	15	22.9	21.0	4.3	29.3	-	12	10	23.0	20.0	17.0
109845	138.1612	15	32.5	-	4.3	-	65.0	16	12	-	-	-



138.0406

Union tee, two unequal connector on the side

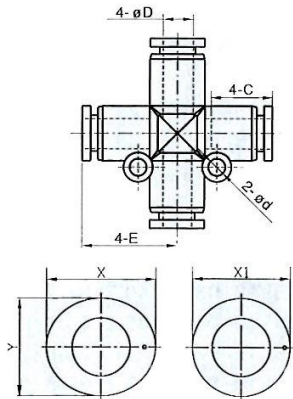
Art. No.	Type No.	Max. working pressure bar	C1	C2	Ø d	E	L	Ø D1	Ø D2	X	Y	X1
109834	138.0406	15	14.9	15.4	3.3	19.0	38.0	4	6	13.9	12.0	10.0
109836	138.0608	15	15.4	17.8	3.3	22.0	44.5	6	8	15.9	14.0	12.0
109839	138.0810	15	17.8	21.0	4.3	27.5	54.8	8	10	19.5	17.0	14.0
109842	138.1012	15	21.0	22.9	4.3	28.9	58.2	10	12	23.0	20.0	17.0
135762	138.1216	15	22.9	24.0	4.3	32.5	63.6	12	16	23.0	24.0	27.0



288.0406

Union tee, one unequal connector each on the side and in the center

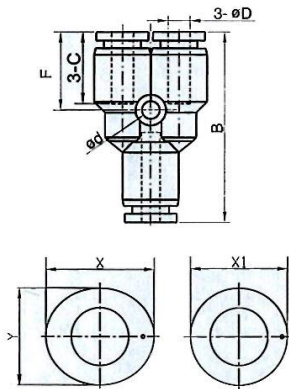
Art. No.	Type No.	Max. working pressure bar	L	E	C1	C2	Ø d	Ø D1	Ø D2
109846	288.0406	15	38	19	15,9	15,4	3,3	6	4



139.008

X-union

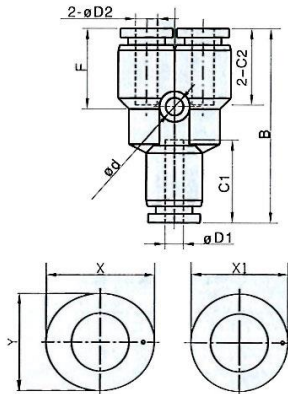
Art. No.	Type No.	Ø D	Max. working pressure bar	Ø d	E	X	Y	X1	C
109861	139.004	4	15	3.2	17.5	11.9	10.5	10.0	14.9
109862	139.006	6	15	3.2	19.0	13.9	12.5	12.0	15.7
109863	139.008	8	15	3.2	22.8	15.9	13.9	14.0	17.8
109864	139.010	10	15	4.2	27.9	19.5	17.0	17.0	20.5
109865	139.012	12	15	4.3	29.3	23.0	20.5	20.0	22.9



140.008

Y-union

Art. No.	Type No.	Ø D	Max. working pressure bar	Ø d	B	F	C	X	Y	X1
109847	140.004	4	10	3.3	35.5	14.0	14.9	11.9	10.5	10.0
109848	140.006	6	10	3.3	36.5	14.8	15.7	13.9	12.5	12.0
109849	140.008	8	10	3.3	39.8	17.8	17.8	15.9	13.9	14.0
109850	140.010	10	10	4.3	48.9	20.6	20.7	19.5	17.0	17.0
109851	140.012	12	10	4.3	52.6	29.3	22.9	23.0	20.5	20.0
109852	140.014	14	10	4.0	54.6	20.8	22.5	-	-	-
109853	140.016	16	10	4.3	61.0	21.6	18.5	27.0	24.0	25.0



141.008

Y-union, unequal

Art. No.	Type No.	Ø D1	Ø D2	Max. working pressure bar	Ø d	B	F	X	Y	X1
109854	141.006	6	4	10	3.3	36.5	14.0	13.9	12.5	12.0
109855	141.0804	8	4	10	2.8	42.0	17.0	-	-	-
109856	141.008	8	6	10	3.3	39.8	14.5	15.9	13.9	14.0
109857	141.1006	10	6	10	3.2	43.8	16.0	-	-	-
109858	141.010	10	8	10	3.3	48.9	17.9	19.5	17.0	17.0
109859	141.1208	12	8	10	4.0	52.0	20.5	-	-	-
109860	141.012	12	10	10	4.3	52.6	20.8	23.0	20.5	20.0
135763	141.1612	16	12	10	4.3	56.3	21.3	-	-	27.0

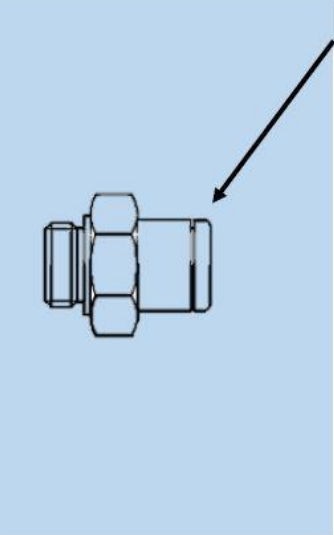
Art. No.	Type No.	C1	C2	X2	Y2	Y3
109854	141.006	15.4	14.9	11.9	10.5	10.0
109855	141.0804	18.0	15.5	-	-	-
109856	141.008	17.8	15.4	13.9	12.5	12.0
109857	141.1006	19.3	15.6	-	-	-
109858	141.010	19.5	17.8	15.9	13.9	14.0
109859	141.1208	21.0	18.0	-	-	-
109860	141.012	20.5	19.5	19.5	17.0	17.0
135763	141.1612	25.0	22.6	23.0	20.5	-

Assembling instructions for push-in fittings

- Cut the hose ends plain. To ensure an ideal sealing effect and secure stop of the fitting make sure the hose end is not oval.
- Clean the hose ends and make sure that it is free of burrs.
- Push the hose ends into the fitting till it stops.
- Test stability by pulling the hose shortly.
- Push the release ring to release the hose.
- Pull out the hose with slight rotation.
- For a new assembling cut the hose plain again. Then pushing and releasing the tube should not be affected adversely.

*The suitability test for the individual application is the user's responsibility.

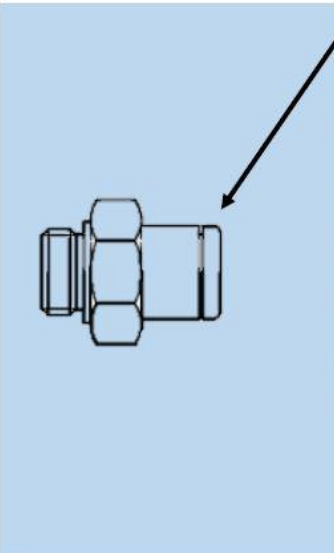
We recommend for improved strength of push-in fittings with **PA** hoses, the following push-in fitting - hose combination:



For tube O.D.	Recommended hose \varnothing	Recommended hose
3	3x1.5 *	259.08 X
4	4x2 *	259.09 X
5	5x3	259.10 X
6	6x4 *	259.11 X
8	8x6 *	259.12 X
10	10x7 *	259.61 X
12	12x9 *	259.14 X
14	14x11	259.62 X
16	16x12	259.25 X

* Recommended and based on ISO 14743

We recommend for improved strength of push-in fittings with **PU** hoses, the following push-in fitting - hose combination:



For tube O.D.	Recommended hose \varnothing	Recommended hose
3	3x1.5 *	259.50 X
4	4x2 *	259.04 X
5	5x3	259.15 X
6	6x4 *	259.16 X
8	8x5 *	259.63 X
10	10x7 *	259.64 X
12	12x8 *	259.65 X
14	14x10	259.51 X
16	16x12	259.52 X

* Recommended and based on ISO 14743