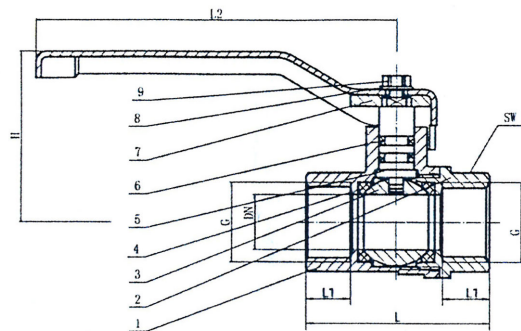


Extremely economical standard ball valves made of nickel-plated brass for compressed air, water, non-toxic and non-corrosive gases and liquids.

Housing and ball:	Nickel-plated brass
Ball seal:	PTFE
Stem seal:	NBR
Lever handle:	Steel Q235-A (1.0038) with PVC-coating
Operating temperature:	-20 °C to +100 °C
Operating pressure:	max. 25 bar
Port:	G-thread acc. to DIN EN ISO 228-1


Brass ball valves, female/female thread

Art. No.	Ident No.	Thread	L mm	L1 mm	L2 mm	H mm	DN	a/f mm
334.02-E	115711	G 1/4	40.0	10.0	75.0	38.0	8	19
334.03-E	115712	G 3/8	40.0	9.0	75.0	37.0	10	19
334.04-E	115713	G 1/2	50.0	12.0	98.0	45.0	14.5	24
334.05-E	115714	G 3/4	55.0	12.0	98.0	49.0	19	30
334.06-E	115715	G 1	63.0	13.0	118.0	55.0	24.5	37
334.07-E	115716	G 1 1/4	73.0	15.0	118.0	58.0	30.5	46
334.08-E	115717	G 1 1/2	83.0	16.0	138.0	71.0	37	53
334.09-E	115718	G 2	99.0	19.0	160.0	79.0	45	65

Pressure / temperature diagramm

