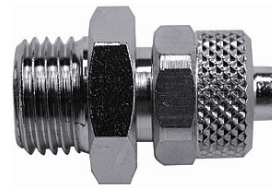
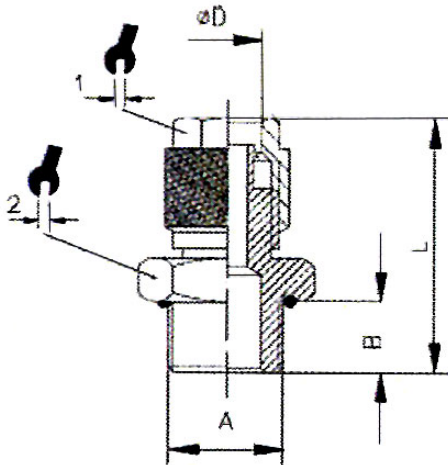




Material Nickel-plated brass
Max. operating pressure 18 bar
Suitable hose materials PA, PE, PU



11.114-8-E

Male connector, parallel male thread

Art. No.	Type No.	$\varnothing D$	G	B	L	 1	 2
114743	11.105-5-E	5/3	M5	4.0	21.0	8	8
114744	11.105-6-E	6/4	M5	4.0	21.0	9	8
114749	11.118-5-E	5/3	G 1/8	6.0	23.0	8	14
114750	11.118-6-E	6/4	G 1/8	6.0	25.5	12	13
114751	11.118-8-E	8/6	G 1/8	6.0	25.5	14	14
114748	11.118-10-E	10/8	G 1/8	6.0	27.5	16	14
114746	11.114-6-E	6/4	G 1/4	8.0	28.0	12	16
114747	11.114-8-E	8/6	G 1/4	8.0	28.0	14	16
114745	11.114-10-E	10/8	G 1/4	8.0	29.5	16	16
114754	11.138-6-E	6/4	G 3/8	9.0	29.0	12	19
114755	11.138-8-E	8/6	G 3/8	9.0	29.0	14	19
114752	11.138-10-E	10/8	G 3/8	9.0	30.5	16	19
114753	11.138-12-E	12/10	G 3/8	9.0	32.0	18	19