

Locknuts KMK and KMK-R with Integral Locking Device

Material:

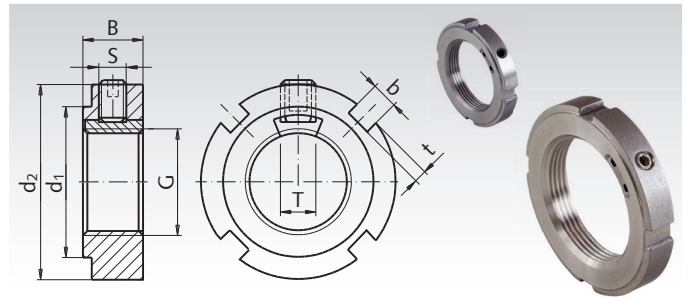
KMK, standard: Body of the nut steel, min. strength 350 N/mm².

KMK-R, stainless: Body of the nut stainless steel 1.4301.



Reusable shaft nut with integrated locking device.

Special feature of the shaft nut is the locking insert, integrated into the nut. This insert is threaded and thus does not cause any damage. The locking insert is pressed against the shaft thread with a locking screw and thus prevents the nut from turning.



Ordering Details: e.g.: Product No. 653 530 00, Shaft Nut KMK, M10 x 0.75

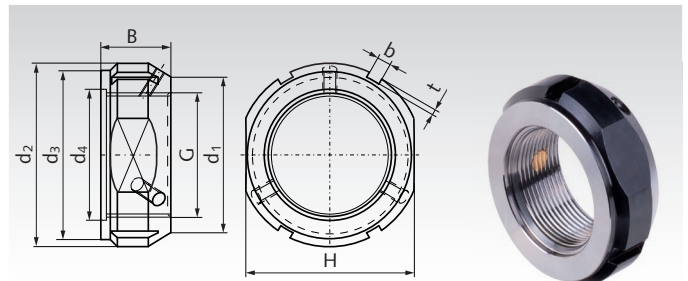
Product No. KMK	Product No. KMK-R	Type	Thread G mm	d ₁ mm	d ₂ mm	B mm	b mm	h mm	S mm	T mm	T _{AS} ¹⁾ Nm	Permissible Axial Load kN	Weight g
653 530 00	653 985 30	KMK 0	M10 x 0,75	16	20	9	3	2	M5	4	4	9,8	16
653 532 00	653 985 32	KMK 1	M12 x 1	18	22	9	3	2	M5	4	4	11,8	18
653 534 00	653 985 34	KMK 2	M15 x 1	21	25	9	4	2	M5	4	4	14,6	21
653 537 00	653 985 37	KMK 3	M17 x 1	24	28	9	4	2	M5	4	4	19,6	27
653 540 00	653 985 40	KMK 4	M20 x 1	28	32	9	4	2	M5	4	4	24	30
653 544 00	653 985 44	KMK 5	M25 x 1,5	34	38	9	5	2	M5	10	4	31,5	30
653 548 00	653 985 48	KMK 6	M30 x 1,5	41	45	9	5	2	M5	10	4	36,5	60
653 553 00	653 985 53	KMK 7	M35 x 1,5	48	52	9	5	2	M5	10	4	50	70
653 558 00	653 985 58	KMK 8	M40 x 1,5	53	58	11	6	2,5	M6	12	8	62	110
653 562 00	653 985 62	KMK 9	M45 x 1,5	60	65	11	6	2,5	M6	12	8	78	140
653 565 00	653 985 65	KMK 10	M50 x 1,5	65	70	15	6	2,5	M8	12	18	91,5	180
653 568 00	653 985 68	KMK 11	M55 x 2	69	75	15	7	3	M8	12	18	91,5	190
653 571 00	653 985 71	KMK 12	M60 x 2	74	80	15	7	3	M8	12	18	95	200

¹⁾ Fastening Torque of Locking Screw.

Locknuts KMT with locking pins

Material: Body of the nut steel, min. strength 350 N/mm².

Reusable shaft nut with integrated locking devices. Special features of the shaft nut are the locking inserts from brass. These inserts are threaded and thus does not cause any damage. The locking inserts are pressed against the shaft thread with locking screws. With the screws, the runout can also be adjusted. Slotnut-design. Up to size 15 with two additional wrench flats. KMT-Locknuts are designed for applications, which require a high precision and trustable locking.



Ordering Details: e.g.: Product No. 653 580 00, Shaft Nut KMT, M10 x 0.75

Product No. standard	Type stainless	Thread G mm	d ₁ mm	d ₂ mm	d ₃ mm	d ₄ mm	B mm	H mm	b mm	h mm	S mm	T _{AS} ¹⁾ Nm	Permissible Axial Load kN	Weight g
653 580 00	KMT 0	M10 x 0,75	21	28	23	11	14	24	4	2	M5	4,5	35	45
653 580 01	KMT 1	M12 x 1	23	30	25	13	14	27	4	2	M5	4,5	40	50
653 580 02	KMT 2	M15 x 1	26	33	28	16	16	30	4	2	M5	4,5	60	75
653 580 03	KMT 3	M17 x 1	29	37	33	18	18	34	5	2	M6	8	80	100
653 580 04	KMT 4	M20 x 1	32	40	35	21	18	36	5	2	M6	8	90	110
653 580 05	KMT 5	M25 x 1,5	36	44	39	26	20	41	5	2	M6	8	130	130
653 580 06	KMT 6	M30 x 1,5	41	49	44	32	20	46	5	2	M6	8	160	160
653 580 07	KMT 7	M35 x 1,5	46	54	49	38	22	50	5	2	M6	8	190	190
653 580 08	KMT 8	M40 x 1,5	56	65	59	42	22	60	6	2,5	M6	8	210	300
653 580 09	KMT 9	M45 x 1,5	61	70	64	48	22	65	6	2,5	M6	8	240	330
653 580 10	KMT 10	M50 x 1,5	65	75	68	52	25	70	7	3	M6	8	300	400
653 580 11	KMT 11	M55 x 2	74	85	78	58	25	80	7	3	M8	18	340	540
653 580 12	KMT 12	M60 x 2	78	90	82	62	26	85	8	3,5	M8	18	380	610
653 580 13	KMT 13	M65 x 2	83	95	87	68	28	90	8	3,5	M8	18	460	710
653 580 14	KMT 14	M70 x 2	88	100	92	72	28	95	8	3,5	M8	18	490	750
653 580 15	KMT 15	M75 x 2	93	105	97	77	28	100	8	3,5	M8	18	520	800
653 580 16	KMT 16	M80 x 2	98	110	100	83	32	-	8	3,5	M8	18	620	900
653 580 17	KMT 17	M85 x 2	107	120	110	88	32	-	10	4	M10	35	650	1150
653 580 18	KMT 18	M90 x 2	112	125	115	93	32	-	10	4	M10	35	680	1200
653 580 19	KMT 19	M95 x 2	117	130	120	98	32	-	10	4	M10	35	710	1250
653 580 20	KMT 20	M100 x 2	122	135	125	103	32	-	10	4	M10	35	740	1300

¹⁾ Fastening Torque of Locking Screw.