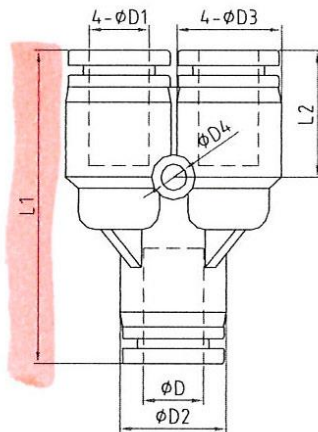


Push-in fittings series manufactured in plastic and nickel-plated brass.
All parts are suitable for use with hoses, tubes or pipes made of plastic and copper.

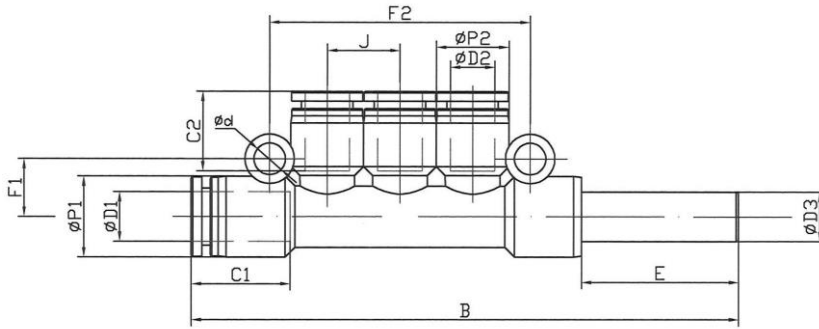
Temperature range:	-20 °C to 80 °C
Material:	Plastic and nickel-plated brass
Sleeve:	Plastic
Sealing surface:	Parallel version: O-ring in housing Conical version: PTFE thread coating
Medium:	Compressed air, neutral and safe gases and liquids*
Applications:	Air, vacuum
Recommended hose:	PU or PA (nylon)



218.006-4

Distributor with plug connection, 4 outlets

Art. No.	Type No.	ØD	ØD1	Max. working pressure bar	ØD2	ØD3	ØD4	L1	L2
109874	218.006-4	6	4	15	12.5	10.5	3.2	36.0	14.9
109875	218.008-6	8	6	15	14.0	12.5	3.2	39.8	15.4

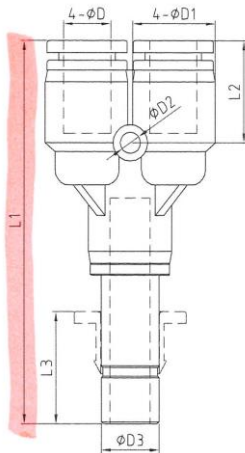


224.008-6

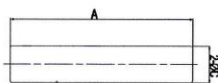
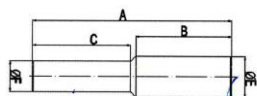
Tee distributor with push-in plug, 3 outlets

Art. No.	Type No.	ØD1	ØD2	ØD3	Max. working pressure bar	ØP1	ØP2	J	F1	F2	Ød
109908	224.006-4	6	4	6	15	14.4	13.0	13.0	9	42	3.2
109909	224.008-4	8	4	8	15	18.4	14.4	14.5	11	48	4.2
109910	224.008-6	8	6	8	15	18.4	14.4	14.5	11	48	4.2
135802	224.010-6	10	6	10	15	18.4	14.4	14.5	11	48	4.2
109911	224.010-8	10	8	10	15	18.4	14.4	14.5	11	48	4.2

Art. No.	Type No.	C1	C2	B	E
109908	224.006-4	15.5	15.5	81.0	20.0
109909	224.008-4	18.0	15.5	104.5	22.0
109910	224.008-6	18.0	15.5	106.0	23.5
135802	224.010-6	22.0	18.0	105.5	22.0
109911	224.010-8	22.0	18.0	109.5	26.0


223.006-4
Distributor with push-in plug, 4 outlets

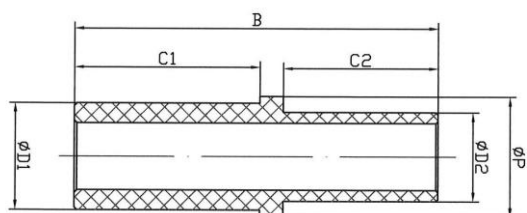
Art. No.	Type No.	ØD3	ØD	Max. working pressure bar	ØD1	ØD2	L	L1	L2	L3
109912	223.006-4	6	4	10	11.3	3.2	11	52.8	15.0	13
109913	223.008-6	8	6	10	13.3	3.2	13	58.0	15.5	14



178.008

Push-in plug

Art. No.	Type No.	Max. working pressure bar	A	ØC
109914	178.004	15	36.0	4
109915	178.006	15	38.0	6
109916	178.008	15	38.0	8
109917	178.010	15	40.2	10
109918	178.012	15	44.0	12
135803	178.016	15	56.0	16



179.0806

Push-in plug, unequal

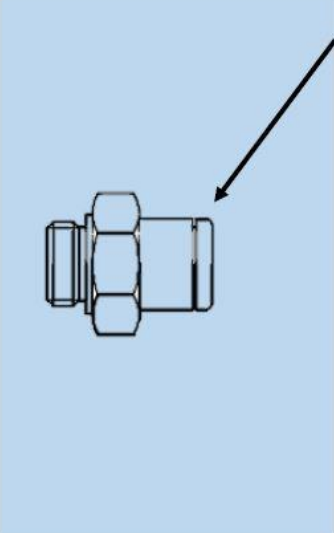
Art. No.	Type No.	ØD1	ØD2	Max. working pressure bar	C1	C2	B	ØP
109919	179.0604	6	4	15	19.0	17.0	37.5	7.0
109920	179.0804	8	4	15	21.5	17.0	40.5	9.0
109921	179.0806	8	6	15	21.5	19.0	42.5	9.0
109922	179.1006	10	6	15	23.0	19.0	44.5	11.0
109923	179.1008	10	8	15	23.0	21.5	47.0	11.0
109924	179.1208	12	8	15	25.0	21.5	49.5	13.5
109925	179.1210	12	10	15	25.0	23.0	51.0	13.5
135804	179.1612	16	12	15	24.8	22.5	54.0	-

Assembling instructions for push-in fittings

- Cut the hose ends plain. To ensure an ideal sealing effect and secure stop of the fitting make sure the hose end is not oval.
- Clean the hose ends and make sure that it is free of burrs.
- Push the hose ends into the fitting till it stops.
- Test stability by pulling the hose shortly.
- Push the release ring to release the hose.
- Pull out the hose with slight rotation.
- For a new assembling cut the hose plain again. Then pushing and releasing the tube should not be affected adversely.

*The suitability test for the individual application is the user's responsibility.

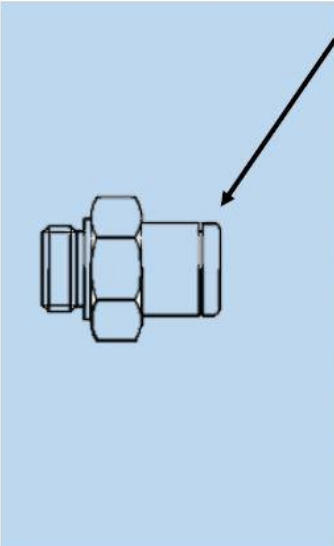
We recommend for improved strength of push-in fittings with **PA** hoses, the following push-in fitting - hose combination:



For tube O.D.	Recommended hose \varnothing	Recommended hose
3	3x1.5 *	259.08 X
4	4x2 *	259.09 X
5	5x3	259.10 X
6	6x4 *	259.11 X
8	8x6 *	259.12 X
10	10x7 *	259.61 X
12	12x9 *	259.14 X
14	14x11	259.62 X
16	16x12	259.25 X

* Recommended and based on ISO 14743

We recommend for improved strength of push-in fittings with **PU** hoses, the following push-in fitting - hose combination:



For tube O.D.	Recommended hose \varnothing	Recommended hose
3	3x1.5 *	259.50 X
4	4x2 *	259.04 X
5	5x3	259.15 X
6	6x4 *	259.16 X
8	8x5 *	259.63 X
10	10x7 *	259.64 X
12	12x8 *	259.65 X
14	14x10	259.51 X
16	16x12	259.52 X

* Recommended and based on ISO 14743