

C02

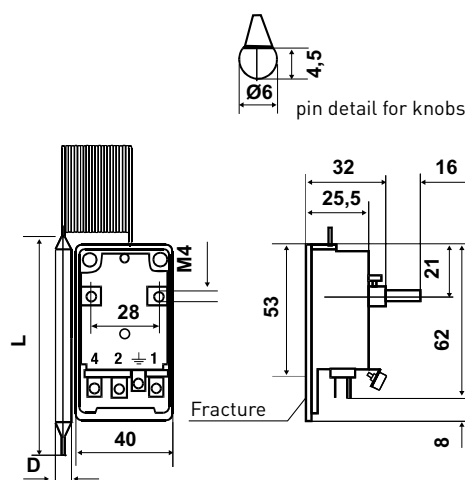
Rear panel thermostats for remote mounting

Thermostats with capillary for rear panel mounting to adjust the water temperature in the boilers, in the air-conditioning and cooling systems, in household appliances, in electrical furnaces.



Dimensions (mm)

	L	D
C02A3	73.5	6.5
C02B3	65	5
C02C2	103	6.5
C02D2	103	6.5
C02E3	73.5	6.5
C02F	195	3.5

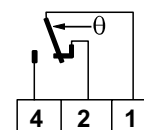


	Temperature range	Differential*	Calibration accuracy	Admissible body temperature	Maximum bulb temperature	Capillary length	Protection degree
C02A3	10 ÷ 90 °C	6 ± 1 K	± 3 °C	0 ÷ 85 °C	150 °C	1 mt	IP00
C02B3	50 ÷ 300 °C	8 ± 2 K	± 3 °C	0 ÷ 85 °C	350 °C	1,5 mt	IP00
C02C2	- 20 ÷ 40 °C	2 ± 0,5 K	± 2 °C	0 ÷ 85 °C	80 °C	1,5 mt	IP00
C02D2	- 35 ÷ 20 °C	2 ± 0,5 K	± 2 °C	0 ÷ 85 °C	80 °C	1,5 mt	IP00
C02E3	40 ÷ 120 °C	6 ± 2 K	± 3 °C	0 ÷ 85 °C	150 °C	1 mt	IP00
C02F	50 ÷ 320 °C	10 ± 2 K	± 3 °C	0 ÷ 85 °C	330 °C	1 mt	IP00

*The differential is subtracted from the range value. The differential values refer to a thermal gradient of 1K/hour in liquid and 5K/hour in air.

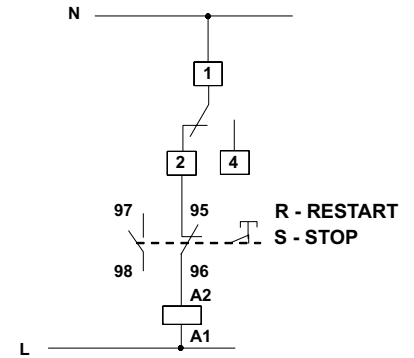
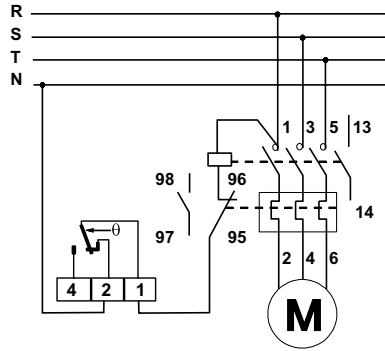
ELECTRICAL FEATURES

Two directions microswitch of instant action with AGcdO contacts.
Contact parameters in compliance with EN 60730-1: 15(6)A 250V~ 50Hz



Parameters in compliance with EN 60947-5-1:

Nominal insulation voltage: U_i	380V~		
Nominal continuous current: I_{th}	15A		
Nominal operating current I_e	220V~	250V~	380V~
Resistive load AC-12	-	15A	10A
Inductive load AC-15	-	2,5A	1,5A
Direct current DC-13	0,2A	-	-



STANDARDS AND APPROVALS

Compliance with standards EN 60947-5-1, EN 60730-1



INSTALLATION

Rear panel mounting for the thermostat's body.

The bulb with capillary can be mounted remotely and is provided with seal caps or copper sheath with GC 1/2 connection

OPERATION

When the temperature increases: 1-2 are opening, 1-4 are closing.

Liquid expansion function.

FEATURES

Sensing element with stainless steel diaphragm.

Copper bulb and capillary.

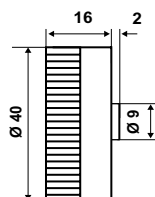
Copper bulb and capillary, tinned for types C02C2 and C02D2.

Screws for rear panel mounting for C02C2 and C02D2.

Base in shock-proof self-extinguishing thermoplastic material V0.

Threaded connection "Faston" 6,3 mm.

ACCESSORIES



2724259
control knob for C02A3

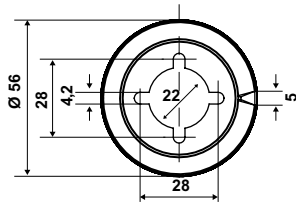
2724260
control knob for C02B3

2723094
control knob for C02C2

2723095
control knob for C02D2

2724261
control knob for C02E3

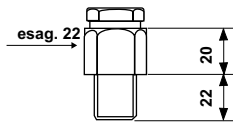
2723856
control knob for C02F



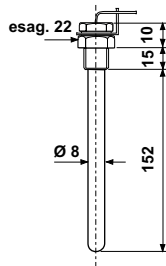
2554972
thermoplastic ring for control knobs



2754975
stainless steel ring for control knobs



G23
Seal cap Gc 1/2, PN10 bar, without casing.



G28
Copper sheath Gc 1/2 PN10 bar, length 177 mm, including spring to mount the capillary.



5677050
Group of range limiters, used for knobs.

EXECUTION UPON REQUEST WITH SPECIAL TEMPERATURE RANGE

Temperature range (1)	Scale angle(*)
C02A xx yy 0 ÷ 120	80
C02A xx yy 10 ÷ 300	250
C02A xx yy - 35 ÷ 60	60
C02A xx yy - 35 ÷ 60	75
C02A xx yy 10 ÷ 320	270

NOTE:

Special temperature range is chosen in the range of temperature (1) and must always exceed the set value "scale angle"[*].

EXAMPLE:

C02 - 10/50 special execution C02, temperature range -10 ÷ 50°C, scale angle 60°C.