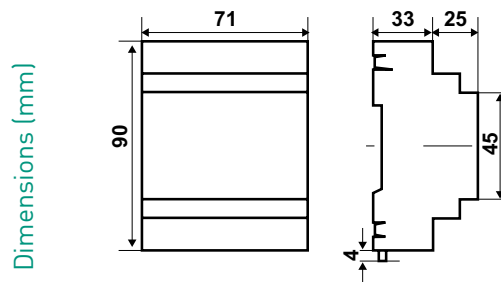


Telecomfort CT3MA

GSM Telecontrol

CT3MA is a GSM terminal suitable to control remotely the heating systems, especially when no fixed telephone line is provided. CT3MA also enables to control two remote inputs and one output. Communication is implemented through a mobile phone and the GSM modem of the device using SMS messages or APP Intellilima+.



Dimensions (mm)

	Power supply	Consumption	Antenna	Ambient admissible temperature	Protection degree
--	--------------	-------------	---------	--------------------------------	-------------------

CT3MA	10 ÷ 20 Vdc or Vac	10 W max	external	0 ÷ 55 °C	IP40 back panel
-------	--------------------	----------	----------	-----------	-----------------

ELECTRICAL FEATURES

Power supply from 10 to 20 V in DC and in alternating current (50/60 Hz).

Power consumption: 10W MAX.

Quad band: EGSM850/900/1800/1900.

Output power: class 4 (2W) for EGSM850/900, class 1 (1W) for GSM1800/1900.

Sensitivity: -107 dbm @ 850/900 MHz, -106 dbm @ 1800/1900 MHz.

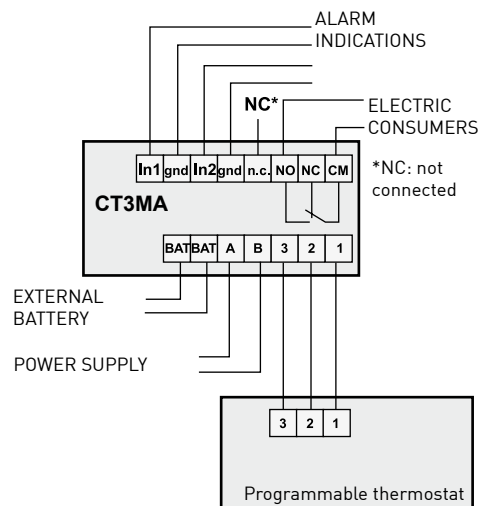
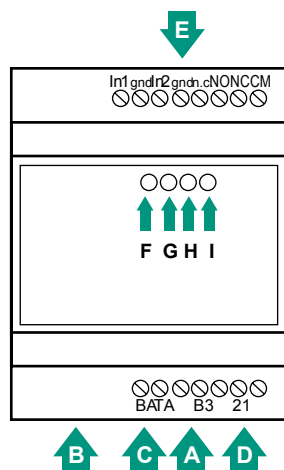
Relay contacts rating: 4(2)A-250Vac.

Voltage free switching contacts.

Power supply connector - 2,5mm (AWG14).

Input/output connector - 2,5mm (AWG14).

- A** Power supply input
- B** SIM card slot (remove lower cover)
- C** Lithium battery connections
- D** Programmable thermostat connections
- E** Input and output connections
- F** GSM network status LED indicator
- G** Input1 status LED indicator (alarm1)
- H** Input2 status LED indicator (alarm2)
- I** Relay status LED indicator



HOMOLOGATION AND STANDARDS

Conformity with EN60730-1 standards.

Complies with R&TTE EN300 220-3, EN 301 489-03 directives.



INSTALLATION

4-module casing suitable for mounting on DIN EN-50022 rail.

No necessity for fixed telephone line.

OPERATION

Telecomfort CT3MA has a built-in GSM modem with an external antenna (CT3MA), provided in the package.

Allows the monitoring and control of electrical users and heating systems, through commands sent via SMS or via APP Intelliclimate+.

It can be installed without necessity of fixed telephone line.

Allows the remote control of any electrical device, such as irrigation systems, domestic electrical appliances, etc.

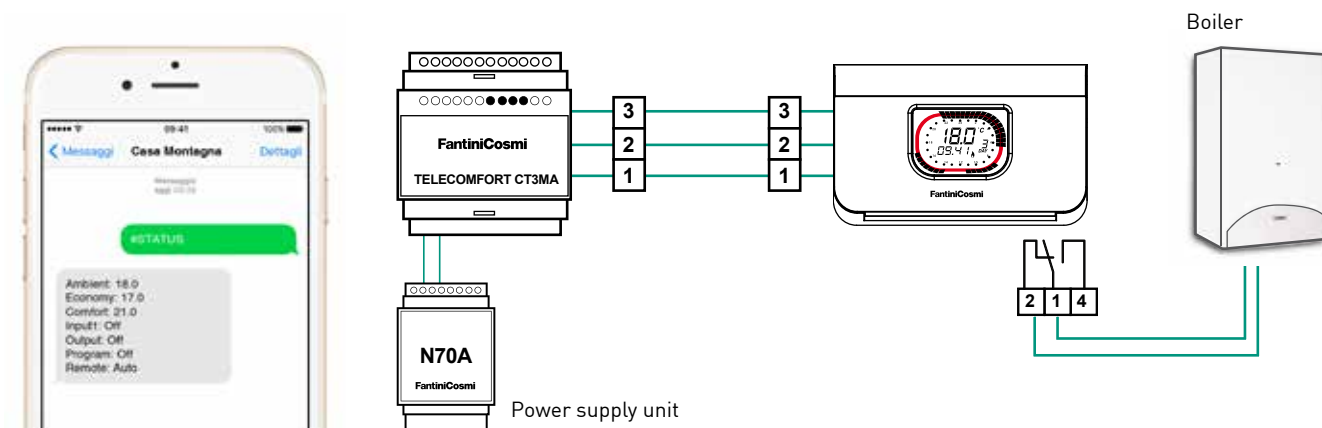
Automatically sends an alarm in case of need: contacts closing and/or opening alarm or in the case of a blackout.

Telecomfort CT3MA connected to a Fantini Cosmi programmable thermostat, via SMS messages, to change remotely the prescribed program and to read programmable thermostat's status: measured ambient temperature, day and night set temperature, the prescribed program etc.

Connectable programmable thermostats

- Intellitherm C57CT-C58CT
- Intellicomfort CH150 (except CH150R) and colored versions
- Intellitouch CH191, CH193 and colored versions

OPERATION EXAMPLE



It allows remote activation of the integrated relay for using as a remote command for any electrical user.

The position of the relay (open or closed) is stored in nonvolatile memory and then restored each time, even if voltage is missing. Telecomfort CT3MA is able to automatically send an SMS message to the phone numbers stored inside it, when an alarm condition occurs (alarm contact closing and/or opening).

CT3MA can be configured for signaling the telephone numbers stored therein, the absence or the restoration of the tension in the electric circuit (blackout), using a simple SMS command.

To each of the two alarm inputs and relay is possible to associate a specific name and also the state in case of contacts closing and opening, for example, an alarm may take the name INPUT GATE and its states OPEN and CLOSED. Or the relay can be associated with the name IRRIGATION with the states ACTIVATED and DEACTIVATED.

Is possible to control different alarms by putting them all in parallel between them.

Four LED indicators placed on the unit's front, allow both a qualitative measurement of the GSM signal, and the representation of the alarms and relays status.

FEATURES

Sensitivity:

- 107dBm@850/900MHz
- 106dBm@1800/1900MHz

double insulation.

Operating temperature: $-20 \div 60^{\circ}\text{C}$ / $-30 \div 80^{\circ}\text{C}^*$ (* reduced sensitivity).

Indicative unit weight: 140 g.

Protection degree EN 60529: IP40 (If the device is correctly installed).

ACCESSORIES



N70A
alimentatore e caricabatterie.

1590029
rechargeable battery 12V-1,2Ah

1560053
Litio battery back-up to send alarm messages in case of power failure

FANTINI COSMI SYSTEM



Intellitherm C57CT-C58CT

+



Intellicomfort CH150 (except CH150R)
and colored versions

+



Intellitouch CH191, CH193 and colored versions

+

