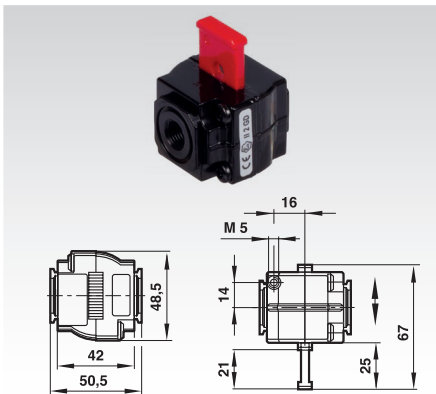


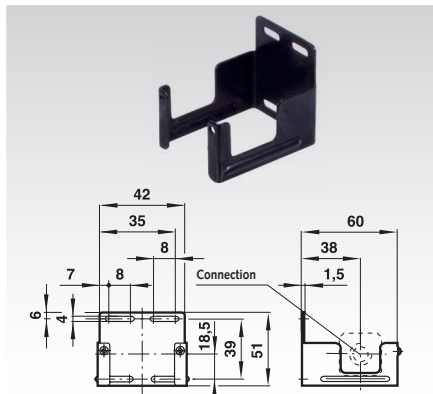
3/2 Way Shut-Off Valve (manual)



Materials:
Housing: Zinc die-cast.
Slider: Plastic:

Symbol	Product No.	Connection	Weight
	830 022 00	G ¹ / ₄	293 ^g

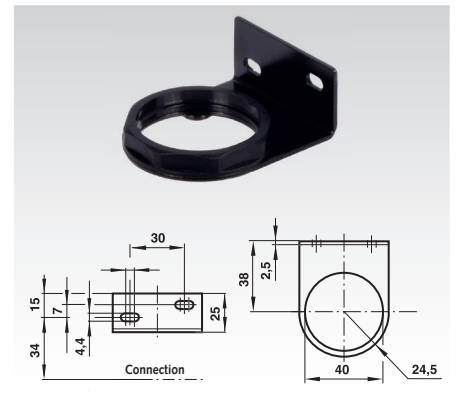
Universal Mounting Bracket



Material:
Steel.

Product No.	Weight
830 031 00	49 ^g

Universal Mounting Bracket



Materials:
Nut: Plastic; Bracket: Steel.

Product No.	Weight
830 033 00	72 ^g

Panel Mounting Nut



Material:
Plastic:

Product No.	Weight
830 035 00	3 ^g

Pressure Gauge



Materials: Housing, viewing glass: Plastic.
Connecting thread: Brass.
Operating pressure: 0-10 bar. T = -20°C to 60°C

Product No.	Connection	Ø	Weight
830 037 00	R ¹ / ₈	40 mm	43 ^g