

Shaft Collars, Clamp Collars, Single-Split - Type N

Material: Steel C45, black oxide finish, screws steel 12.9
Stainless steel 1.4305,
screws stainless steel A2-70.

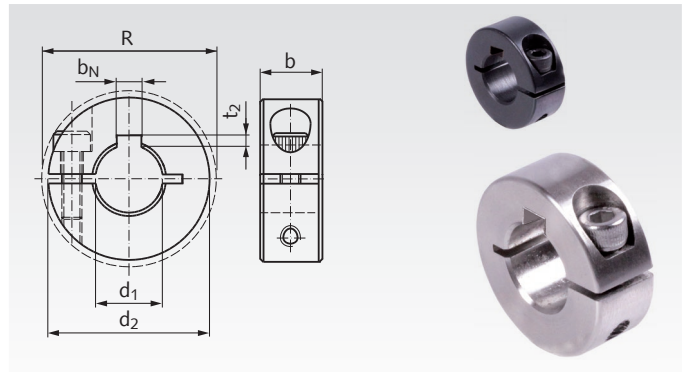


Type N: with keyway DIN 6885-1.

The thread of the screw DIN 912 is covered with a layer of nylon.

Tolerance b: +0.08 mm
-0.25 mm

Temperature range: -40°C to +175°C.



Ordering Details: e.g.: Product No. 623 108 00N, Clamp Collar N, 8mm

Product No. Type N Steel black	Product No. Type N Stainless Steel	d ₁ mm	d ₂ mm	R _{max.} mm	b mm	Screw DIN912	b _N mm	t ₂ mm	Weight g
623 108 00N	623 991 08N	8	18	22,4	9	M3 x 8	2	1,0	12
623 110 00N	623 991 10N	10	24	26,0	9	M3 x 10	3	1,4	22
623 112 00N	623 991 12N	12	28	31,8	11	M4 x 12	4	1,8	37
623 115 00N	623 991 15N	15	34	39,4	13	M5 x 16	5	2,3	64
623 116 00N	623 991 16N	16	34	39,4	13	M5 x 16	5	2,3	62
623 120 00N	623 991 20N	20	40	46,4	15	M6 x 16	6	2,8	95
623 125 00N	623 991 25N	25	45	50,8	15	M6 x 16	8	3,3	111
623 130 00N	623 991 30N	30	54	58,6	15	M6 x 18	8	3,3	160
623 135 00N	623 991 35N	35	57	61,6	15	M6 x 18	10	3,3	167
623 140 00N	623 991 40N	40	60	65,0	15	M6 x 18	12	3,3	158
623 145 00N	623 991 45N	45	73	79,4	19	M8 x 25	14	3,8	338
623 150 00N	623 991 50N	50	78	84,2	19	M8 x 25	14	3,8	362
623 160 00N	623 991 60N	60	88	94,0	19	M8 x 25	18	4,4	416

Shaft Collars, Clamp Collars, Double-Split - Type N

Material: Steel C45, black oxide finish, screws steel 12.9.
Stainless steel 1.4305,
screws stainless steel A2-70.

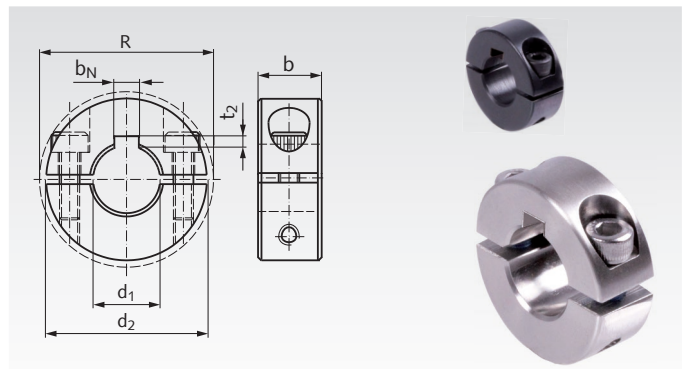


Type N: with keyway DIN 6885-1.

The threads of the screws DIN 912 are covered with a layer of nylon.

Tolerance b: +0.08 mm
-0.25 mm

Temperature range: -40°C to +175°C.



Ordering Details: e.g.: Product No. 623 408 00N, Clamp Collar N, 8mm

Product No. Type N Steel black	Product No. Type N Stainless Steel	d ₁ mm	d ₂ mm	R _{max.} mm	b mm	Screws DIN912	b _N mm	t ₂ mm	Weight g
623 408 00N	623 994 08N	8	18	22,4	9	M3 x 8	2	1,0	12
623 410 00N	623 994 10N	10	24	26,0	9	M3 x 10	3	1,4	24
623 412 00N	623 994 12N	12	28	31,8	11	M4 x 12	4	1,8	38
623 415 00N	623 994 15N	15	34	39,4	13	M5 x 16	5	2,3	67
623 416 00N	623 994 16N	16	34	39,4	13	M5 x 16	5	2,3	64
623 420 00N	623 994 20N	20	40	46,4	15	M6 x 16	6	2,8	99
623 425 00N	623 994 25N	25	45	50,8	15	M6 x 16	8	3,3	117
623 430 00N	623 994 30N	30	54	58,6	15	M6 x 18	8	3,3	168
623 435 00N	623 994 35N	35	57	61,6	15	M6 x 18	10	3,3	168
623 440 00N	623 994 40N	40	60	65,0	15	M6 x 18	12	3,3	167
623 445 00N	623 994 45N	45	73	79,4	19	M8 x 25	14	3,8	354
623 450 00N	623 994 50N	50	78	84,2	19	M8 x 25	14	3,8	378
623 460 00N	623 994 60N	60	88	94,0	19	M8 x 25	18	4,4	431