

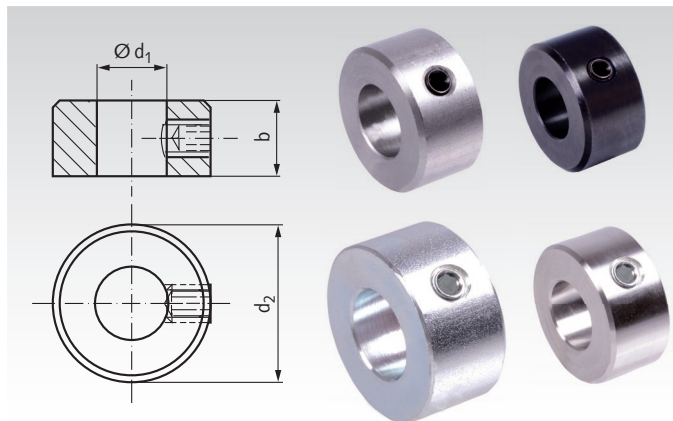
Adjusting Rings (Shaft Collars with Set Screw) according to the Old Standard DIN 703

Material: Steel, bright.
 Steel, black oxide finish.
 Steel, zinc-plated.
 Stainless steel 1.4305.



Heavy-duty series. With allen set screw made from steel / steel zinc-plated like DIN EN ISO 4027, but strength 12.9 or stainless steel A2. From size $d_1=70\text{mm}$ with 2 set screws, with offset 135° .

Bright turned and calibrated. Bores tolerance H8.
 Large chamfer on one side of the outside diameter.
 Temperature range: -40°C to $+175^\circ\text{C}$.



Ordering Details: e.g.: Product No. 623 220 00,
 Collar DIN 703, 20 mm Bore

Product No. Steel bright	Product No. Steel black oxidized	Product No. Steel zinc-plated	Product No. Stainless Steel	d_1 mm	d_2 mm	b mm	Screw mm	Weight kg p. %
623 220 00	623 892 20	623 882 20	623 992 20	20*	40	20	M8	14,6
623 225 00	623 892 25	623 882 25	623 992 25	25	56	22	M10	33,8
623 230 00	623 892 30	623 882 30	623 992 30	30	63	22	M10	41,5
623 235 00	623 892 35	623 882 35	623 992 35	35	70	22	M10	49,6
623 240 00	623 892 40	623 882 40	623 992 40	40	80	28	M12	82,7
623 245 00	623 892 45	623 882 45	623 992 45	45	80	28	M12	75,3
623 250 00	623 892 50	623 882 50	623 992 50	50	90	28	M12	96,3
623 255 00	623 892 55	623 882 55	623 992 55	55	90	28	M12	87,1
623 260 00	623 892 60	623 882 60	623 992 60	60	100	28	M12	110
623 265 00	623 892 65	623 882 65	623 992 65	65	100	28	M12	99,6
623 270 00	623 892 70	623 882 70	623 992 70	70	110	32	2 x M16	141
623 275 00	623 892 75	623 882 75	623 992 75	75	110	32	2 x M16	127
623 280 00	623 892 80	623 882 80	623 992 80	80	125	32	2 x M16	181
623 285 00	623 892 85	623 882 85	623 992 85	85	125	32	2 x M16	165
623 290 00	623 892 90	623 882 90	623 992 90	90	125	32	2 x M16	148

* Size 20 is not part of the old standard DIN 703.

Other sizes and inch-sizes on request.