

## V-Belt Pulleys for Taper Bushes, 2 Grooves

Material: cast iron EN-GJL-250.

Taper V-belt pulleys similar to DIN 2211 or DIN 2217 matching narrow V-belts DIN 2215 und DIN 7753.

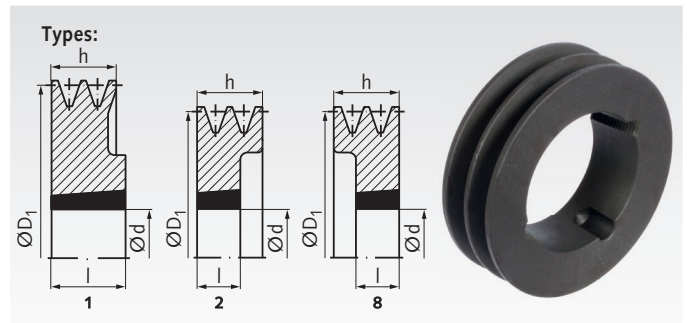
Design:

A = spoked pulley

B = dished pulley

V = solid pulley

Ordering Details: e.g.: Product No. 151 206 00, V-Belt Pulley for Taper Clamping Bush, 2 Grooves, Profile 10, Ø63 mm



### Profile XPZ, SPZ and Z (10) with 2 Grooves

Product No.	Nominal Ø D <sub>1</sub> mm	Design	Type	h mm	l mm	Relation of Hub to Rim	Bush No.	Bore d mm	Weight approx. kg
151 206 00	63	V	8	28	22	one-sided set back 6	1108	9 - 28	0,45
151 207 00	71	V	8	28	22	one-sided set back 6	1108	9 - 28	0,48
151 208 00	80	V	8	28	25	one-sided set back 3	1210	10 - 32	0,57
151 209 00	90	V	8	28	25	one-sided set back 3	1610	12 - 42	0,67
151 210 00	100	V	8	28	25	one-sided set back 3	1610	12 - 42	0,94
151 211 00	112	V	8	28	25	one-sided set back 3	1610	12 - 42	1,30
151 212 00	125	V	8	28	25	one-sided set back 3	1610	12 - 42	1,80
151 214 00	140	V	8	28	25	one-sided set back 3	1610	12 - 42	2,40
151 216 00	160	V	1	28	32	one-sided projecting 4	2012	12 - 50	3,10
151 218 00	180	B	1	28	32	one-sided projecting 4	2012	12 - 50	2,70
151 220 00	200	B	1	28	32	one-sided projecting 4	2012	12 - 50	3,10
151 222 00	224	B	1	28	32	one-sided projecting 4	2012	12 - 50	3,40
151 225 00	250	A	1	28	32	projecting on both sides 2	2012	12 - 50	3,90
151 228 00	280	A	1	28	32	projecting on both sides 2	2012	12 - 50	4,90

### Profile XPA, SPA and A (13) with 2 Grooves

Product No.	Nominal Ø D <sub>1</sub> mm	Design	Type	h mm	l mm	Relation of Hub to Rim	Bush No.	Bore d mm	Weight approx. kg
153 207 00	71	V	8	35	22	one-sided set back 13	1108	9 - 28	0,55
153 208 00	80	V	8	35	25	one-sided set back 10	1210	10 - 32	0,74
153 209 00	90	V	8	35	25	one-sided set back 10	1610	12 - 42	0,90
153 210 00	100	V	8	35	25	one-sided set back 10	1610	12 - 42	1,00
153 211 00	112	V	8	35	25	one-sided set back 10	1610	12 - 42	1,40
153 212 00	125	V	8	35	25	one-sided set back 10	1610	12 - 42	1,90
153 214 00	140	V	8	35	32	one-sided set back 3	2012	12 - 50	2,60
153 216 00	160	V	8	35	32	one-sided set back 3	2012	12 - 50	3,20
153 218 00	180	B	1	35	32	set back on both sides 1,5	2012	12 - 50	5,20
153 220 00	200	B	1	35	45	projecting on both sides 5	2517	15 - 65	4,70
153 222 00	224	B	1	35	45	one-sided projecting 10	2517	15 - 65	5,30
153 225 00	250	B	1	35	45	projecting on both sides 5	2517	15 - 65	5,80
153 228 00	280	B	1	35	45	one-sided projecting 10	2517	15 - 65	6,50
153 231 00	315	B	1	35	45	one-sided projecting 10	2517	15 - 65	7,60

### Profile XPB, SPB and B (17) with 2 Grooves

Product No.	Nominal Ø D <sub>1</sub> mm	Design	Type	h mm	l mm	Relation of Hub to Rim	Bush No.	Bore d mm	Weight approx. kg
155 210 00	100	V	8	44	25	one-sided set back 19	1610	12 - 42	1,2
155 211 00	112	V	8	44	25	one-sided set back 19	1610	12 - 42	1,5
155 212 00	125	V	2	44	32	one-sided set back 12	2012	12 - 50	2,0
155 214 00	140	V	2	44	32	one-sided set back 12	2012	12 - 50	2,7
155 216 00	160	V	8	44	32	one-sided set back 12	2012	12 - 50	3,9
155 218 00	180	V	1	44	45	one-sided projecting 1	2517	15 - 65	5,5
155 220 00	200	V	1	44	45	one-sided projecting 1	2517	15 - 65	7,5
155 222 00	224	B	1	44	45	one-sided projecting 1	2517	15 - 65	6,6
155 225 00	250	B	1	44	45	one-sided projecting 1	2517	15 - 65	7,7
155 228 00	280	B	1	44	45	one-sided projecting 1	2517	15 - 65	9,5
155 231 00	315	B	1	44	45	one-sided projecting 1	2517	1 - 65	11,5



Matching Taper bushes see page 340.  
Mounting instructions see page 867.

*Other diameters or larger number of grooves  
at short notice, on request.*