

## Shaft Collars, Clamp Collars, Single-Split - Type GA

**Material:** Steel C45, black oxide finish, screws steel 12.9.  
Stainless steel 1.4305,  
screws stainless steel A2-70.

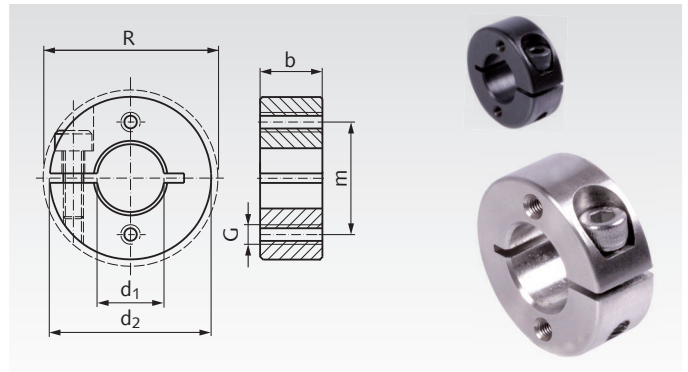


**Type GA:** With two axial mounting bores, with thread.

The thread of the screw DIN 912 is covered with a layer of nylon.

Tolerance b: +0.08 mm  
-0.25 mm

Temperature range: -40°C to +175°C.



Ordering Details: e.g.: Product No. 624 110 00GA, Clamp Collar GA, 10mm

Product No. Type GA Steel black	Product No. Type GA Stainless Steel	d <sub>1</sub> mm	d <sub>2</sub> mm	R <sub>max.</sub> mm	b mm	Screw DIN912	m mm	G mm	Weight g
623 110 00GA	623 991 10GA	10	28	-	9	M3 x 10	19	M3	33
623 112 00GA	623 991 12GA	12	30	31,8	11	M4 x 12	21	M4	44
623 114 00GA	623 991 14GA	14	32	33,9	11	M4 x 14	23	M4	49
623 115 00GA	623 991 15GA	15	36	39,4	13	M5 x 16	25,5	M5	73
623 116 00GA	623 991 16GA	16	38	39,4	13	M5 x 16	27	M5	83
623 118 00GA	623 991 18GA	18	40	41,2	13	M5 x 16	29	M5	90
623 120 00GA	623 991 20GA	20	42	46,4	15	M6 x 16	31	M5	107
623 122 00GA	623 991 22GA	22	46	48,1	15	M6 x 16	34	M6	130
623 125 00GA	623 991 25GA	25	48	50,8	15	M6 x 16	36,5	M6	135
623 128 00GA	623 991 28GA	28	54	-	15	M6 x 16	41	M6	174
623 130 00GA	623 991 30GA	30	56	58,6	15	M6 x 18	43	M6	178
623 132 00GA	623 991 32GA	32	58	58,6	15	M6 x 18	45	M6	192
623 135 00GA	623 991 35GA	35	60	61,6	15	M6 x 18	47,5	M6	198
623 140 00GA	623 991 40GA	40	66	-	15	M6 x 18	53	M6	228
623 145 00GA	623 991 45GA	45	76	79,4	19	M8 x 25	60,5	M8	384
623 150 00GA	623 991 50GA	50	82	84,2	19	M8 x 25	66	M8	433

## Shaft Collars, Clamp Collars, Double-Split - Type GA

**Material:** Steel C45, black oxide finish, screws steel 12.9.  
Stainless steel 1.4305,  
screws stainless steel A2-70.

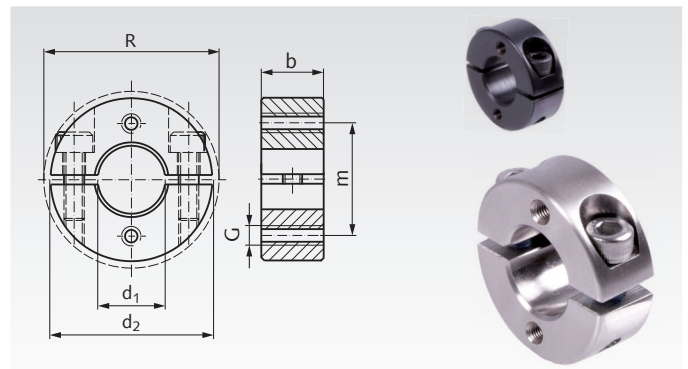


**Type GA:** With two axial mounting bores, with thread.

The threads of the screws DIN 912 are covered with a layer of nylon.

Tolerance b: +0.08 mm  
-0.25 mm

Temperature range: -40°C to +175°C.



Ordering Details: e.g.: Product No. 624 410 00GA, Clamp Collar GA, 10mm

Product No. Type GA Steel black	Product No. Type GA Stainless Steel	d <sub>1</sub> mm	d <sub>2</sub> mm	R <sub>max.</sub> mm	b mm	Screws DIN912	m mm	G mm	Weight g
623 410 00GA	623 994 10GA	10	28	-	9	M3 x 10	19	M3	35
623 412 00GA	623 994 12GA	12	30	31,8	11	M4 x 12	21	M4	45
623 414 00GA	623 994 14GA	14	32	33,9	11	M4 x 14	23	M4	50
623 415 00GA	623 994 15GA	15	36	39,4	13	M5 x 16	25,5	M5	76
623 416 00GA	623 994 16GA	16	38	39,4	13	M5 x 16	27	M5	85
623 418 00GA	623 994 18GA	18	40	41,2	13	M5 x 16	29	M5	92
623 420 00GA	623 994 20GA	20	42	46,4	15	M6 x 16	31	M5	111
623 422 00GA	623 994 22GA	22	46	48,1	15	M6 x 16	34	M6	134
623 425 00GA	623 994 25GA	25	48	50,8	15	M6 x 16	36,5	M6	141
623 428 00GA	623 994 28GA	28	54	-	15	M6 x 16	41	M6	179
623 430 00GA	623 994 30GA	30	56	58,6	15	M6 x 18	43	M6	186
623 432 00GA	623 994 32GA	32	58	58,6	15	M6 x 18	45	M6	197
623 435 00GA	623 994 35GA	35	60	61,6	15	M6 x 18	47,5	M6	199
623 440 00GA	623 994 40GA	40	66	-	15	M6 x 18	53	M6	237
623 445 00GA	623 994 45GA	45	76	79,4	19	M8 x 25	60,5	M8	400
623 450 00GA	623 994 50GA	50	82	84,2	19	M8 x 25	66	M8	449