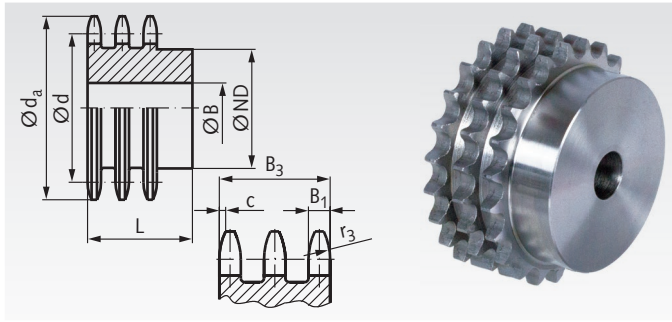


### Triple-Strand Sprockets DRS with Hub, ISO 06 B-3



**Material:** Steel C45, not hardened.  
Pre-bored.  
Sprockets marked with \* are made from grey cast iron GG25.

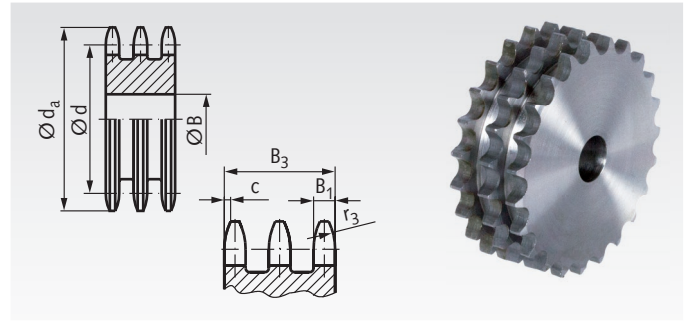
Ordering Details: e.g.: Product No. 131 108 00, DRS, ISO 06 B-3, 8 Teeth

#### ISO 06 B-3, Pitch 3/8 x 7/32"

$B_1 = 5.2$  mm,  $B_3 = 25.6$  mm,  $c = 1.0$  mm,  $r_3 = 10$  mm

| Product No. | Number of teeth | $d_a$ mm | d mm   | ND mm | B mm | L mm | Weight kg |
|-------------|-----------------|----------|--------|-------|------|------|-----------|
| 131 108 00  | 8               | 28,6     | 24,89  | 15    | 6    | 32   | 0,05      |
| 131 110 00  | 10              | 34,5     | 30,82  | 20    | 10   | 32   | 0,09      |
| 131 111 00  | 11              | 37,5     | 33,80  | 22    | 10   | 35   | 0,11      |
| 131 112 00  | 12              | 40,5     | 36,80  | 25    | 10   | 35   | 0,15      |
| 131 113 00  | 13              | 43,5     | 39,80  | 28    | 10   | 35   | 0,19      |
| 131 114 00  | 14              | 46,5     | 42,80  | 31    | 12   | 35   | 0,23      |
| 131 115 00  | 15              | 49,5     | 45,81  | 34    | 12   | 35   | 0,28      |
| 131 116 00  | 16              | 52,5     | 48,82  | 37    | 12   | 35   | 0,33      |
| 131 117 00  | 17              | 55,5     | 51,83  | 40    | 12   | 35   | 0,39      |
| 131 118 00  | 18              | 58,6     | 54,85  | 43    | 12   | 35   | 0,45      |
| 131 119 00  | 19              | 61,6     | 57,87  | 46    | 12   | 35   | 0,51      |
| 131 120 00  | 20              | 64,6     | 60,89  | 49    | 12   | 35   | 0,58      |
| 131 121 00  | 21              | 67,6     | 63,91  | 52    | 14   | 40   | 0,70      |
| 131 122 00  | 22              | 70,6     | 66,93  | 55    | 14   | 40   | 0,78      |
| 131 123 00  | 23              | 73,7     | 69,95  | 58    | 14   | 40   | 0,87      |
| 131 124 00  | 24              | 76,7     | 72,97  | 61    | 14   | 40   | 0,97      |
| 131 125 00  | 25              | 79,7     | 76,00  | 64    | 14   | 40   | 1,06      |
| 131 126 00  | 26              | 82,7     | 79,02  | 67    | 14   | 40   | 1,17      |
| 131 127 00  | 27              | 85,7     | 82,04  | 70    | 14   | 40   | 1,27      |
| 131 128 00  | 28              | 88,8     | 85,07  | 73    | 14   | 40   | 1,39      |
| 131 129 00  | 29              | 91,8     | 88,09  | 76    | 14   | 40   | 1,50      |
| 131 130 00  | 30              | 94,8     | 91,12  | 79    | 14   | 40   | 1,62      |
| 131 132 00  | 32              | 100,9    | 97,17  | 80    | 16   | 40   | 1,80      |
| 131 135 00  | 35              | 110,0    | 106,26 | 85    | 16   | 40   | 2,15      |
| 131 138 00  | 38              | 119,0    | 115,34 | 90    | 16   | 40   | 2,53      |
| 131 145 00* | 45              | 141,1    | 136,54 | 90    | 23   | 56   | 3,56      |
| 131 157 00* | 57              | 177,5    | 172,91 | 90    | 23   | 56   | 3,97      |
| 131 176 00* | 76              | 235,1    | 230,49 | 100   | 23   | 56   | 4,52      |
| 131 183 00* | 95              | 292,7    | 288,08 | 100   | 23   | 56   | 6,12      |
| 131 188 00* | 114             | 350,3    | 345,68 | 100   | 23   | 56   | 7,45      |

### Triple-Strand plate wheels DRL, ISO 06 B-3



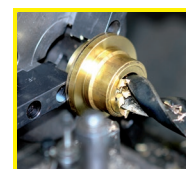
**Material:** Low-carbon steel, not hardable.  
Pre-bored.

Ordering Details: e.g.: Product No. 131 208 00, DRL, ISO 06 B-3, 8 Teeth

#### ISO 06 B-3, Pitch 3/8 x 7/32"

$B_1 = 5.2$  mm,  $B_3 = 25.6$  mm,  $c = 1.0$  mm,  $r_3 = 10$  mm

| Product No. | Number of teeth | $d_a$ mm | d mm   | B mm | Weight kg |
|-------------|-----------------|----------|--------|------|-----------|
| 131 208 00  | 8               | 28,6     | 24,89  | 6    | 0,04      |
| 131 211 00  | 11              | 37,5     | 33,80  | 10   | 0,09      |
| 131 212 00  | 12              | 40,5     | 36,80  | 10   | 0,12      |
| 131 213 00  | 13              | 43,5     | 39,80  | 10   | 0,15      |
| 131 214 00  | 14              | 46,5     | 42,80  | 12   | 0,18      |
| 131 215 00  | 15              | 49,5     | 45,81  | 12   | 0,22      |
| 131 216 00  | 16              | 52,5     | 48,82  | 12   | 0,26      |
| 131 217 00  | 17              | 55,5     | 51,83  | 12   | 0,30      |
| 131 218 00  | 18              | 58,6     | 54,85  | 12   | 0,35      |
| 131 219 00  | 19              | 61,6     | 57,87  | 12   | 0,39      |
| 131 220 00  | 20              | 64,6     | 60,89  | 12   | 0,44      |
| 131 221 00  | 21              | 67,6     | 63,91  | 14   | 0,48      |
| 131 222 00  | 22              | 70,6     | 66,93  | 14   | 0,54      |
| 131 223 00  | 23              | 73,7     | 69,95  | 14   | 0,59      |
| 131 224 00  | 24              | 76,7     | 72,97  | 14   | 0,66      |
| 131 225 00  | 25              | 79,7     | 76,00  | 14   | 0,72      |
| 131 226 00  | 26              | 82,7     | 79,02  | 14   | 0,79      |
| 131 227 00  | 27              | 85,7     | 82,04  | 14   | 0,86      |
| 131 228 00  | 28              | 88,8     | 85,07  | 14   | 0,93      |
| 131 230 00  | 30              | 94,8     | 91,12  | 14   | 1,09      |
| 131 238 00  | 38              | 119,0    | 115,34 | 16   | 1,81      |
| 131 240 00  | 40              | 125,1    | 121,40 | 16   | 2,02      |
| 131 242 00  | 42              | 132,1    | 127,46 | 16   | 2,25      |
| 131 245 00  | 45              | 141,1    | 136,54 | 16   | 2,61      |
| 131 248 00  | 48              | 150,2    | 145,64 | 16   | 2,99      |
| 131 257 00  | 57              | 177,5    | 172,91 | 20   | 4,28      |
| 131 276 00  | 76              | 235,1    | 230,49 | 25   | 7,83      |
| 131 283 00  | 95              | 292,7    | 288,08 | 25   | 12,42     |



**Reworking within  
24h-service possible.  
Custom made parts  
on request.**