

## Double-Sprockets ZRE and ZREG for two Single-Strand Roller Chains DIN ISO 606 (ex DIN 8187)

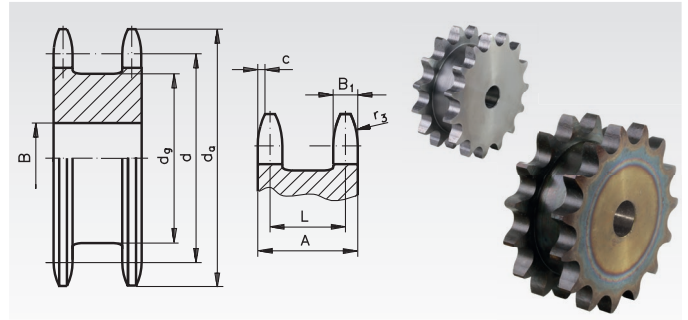
**Material:** Steel C45, optionally hardened.

**Type ZRE:** Not hardened.

**Type ZREG:** Teeth induction hardened (approx. HRC 50).

Double-Sprockets for transmitting the power from a driving chain to a parallel running driven chain, e.g. at roller conveyors.

Ordering Details: e.g.: Product No. 121 413 00, Double Sprocket ZRE, 2x ISO 06B-1, 13 Teeth



**2 x ISO 06 B-1, Pitch 3/8 x 7/32",**  
**B<sub>1</sub> = max. 5.3 mm, c = 1.0 mm, r<sub>3</sub> = 10 mm**

Product No. ZRE	Product No. ZREG	Number of teeth	d <sub>a</sub> mm	d mm	B mm	d <sub>g</sub> mm	A mm	L mm	Weight kg
121 413 00	121 884 13	13	43,0	39,79	10	29	23	17,8	0,14
121 414 00	121 884 14	14	46,3	42,80	10	32	23	17,8	0,17
121 415 00	121 884 15	15	49,3	45,81	10	35	23	17,8	0,20
121 416 00	121 884 16	16	52,3	48,82	12	38	23	17,8	0,23
121 417 00	121 884 17	17	55,3	51,83	12	41	23	17,8	0,26
121 418 00	121 884 18	18	58,3	54,85	12	44	23	17,8	0,30
121 419 00	121 884 19	19	61,3	57,87	12	47	23	17,8	0,34
121 420 00	121 884 20	20	64,3	60,89	15	50	23	17,8	0,38
121 421 00	121 884 21	21	68,0	63,91	15	53	23	17,8	0,43
121 423 00	121 884 23	23	73,5	69,95	15	60	23	17,8	0,54
121 425 00	121 884 25	25	80,0	76,00	15	66	23	17,8	0,65

**2 x ISO 08 B-1, Pitch 1/2 x 5/16",**  
**B<sub>1</sub> = max. 7.2 mm, c = 1.3 mm, r<sub>3</sub> = 13 mm**

Product No. ZRE	Product No. ZREG	Number of teeth	d <sub>a</sub> mm	d mm	B mm	d <sub>g</sub> mm	A mm	L mm	Weight kg
125 412 00	125 884 12	12	53,0	49,07	15	36	30	23	0,27
125 413 00	125 884 13	13	57,4	53,07	15	40	30	23	0,33
125 414 00	125 884 14	14	61,8	57,07	15	44	30	23	0,40
125 415 00	125 884 15	15	65,5	61,09	15	48	30	23	0,47
125 416 00	125 884 16	16	69,5	65,10	15	52	30	23	0,55
125 417 00	125 884 17	17	73,6	69,11	15	56	30	23	0,64
125 418 00	125 884 18	18	77,8	73,14	15	60	30	23	0,73
125 419 00	125 884 19	19	81,7	77,16	15	64	30	23	0,84
125 420 00	125 884 20	20	85,8	81,19	15	68	30	23	0,93
125 421 00	125 884 21	21	89,7	85,22	15	72	30	23	1,03
125 423 00	125 884 23	23	88,2	93,27	15	80	30	23	1,28
125 425 00	125 884 25	25	105,8	101,33	15	88	30	23	1,54

**2 x ISO 10 B-1, Pitch 5/8 x 3/8",**  
**B<sub>1</sub> = max. 9.1 mm, c = 1.6 mm, r<sub>3</sub> = 16 mm**

Product No. ZRE	Product No. ZREG	Number of teeth	d <sub>a</sub> mm	d mm	B mm	d <sub>g</sub> mm	A mm	L mm	Weight kg
126 412 00	126 884 12	12	68,0	61,34	15	45	34	25,2	0,51
126 413 00	126 884 13	13	73,0	66,32	15	50	34	25,2	0,62
126 414 00	126 884 14	14	78,0	71,34	15	55	34	25,2	0,74
126 415 00	126 884 15	15	83,0	76,36	15	60	34	25,2	0,87
126 416 00	126 884 16	16	88,0	81,37	15	65	34	25,2	1,02
126 417 00	126 884 17	17	93,0	86,39	15	70	34	25,2	1,17
126 418 00	126 884 18	18	98,3	91,42	15	75	34	25,2	1,34
126 419 00	126 884 19	19	103,3	96,45	20	80	34	25,2	1,49
126 420 00	126 884 20	20	108,4	101,49	20	85	34	25,2	1,68
126 421 00	126 884 21	21	113,4	106,52	20	90	34	25,2	1,88
126 423 00	126 884 23	23	123,4	116,58	20	100	34	25,2	2,30
126 425 00	126 884 25	25	134,0	126,66	20	110	34	25,2	2,77

**2 x ISO 12 B-1, Pitch 3/4 x 7/16",**  
**B<sub>1</sub> = max. 11.1 mm, c = 2.0 mm, r<sub>3</sub> = 19 mm**

Product No. ZRE	Product No. ZREG	Number of teeth	d <sub>a</sub> mm	d mm	B mm	d <sub>g</sub> mm	A mm	L mm	Weight kg
127 412 00	127 884 12	12	81,5	73,6	20	56	44	33,4	0,91
127 413 00	127 884 13	13	87,5	79,6	20	59	44	33,4	1,12
127 414 00	127 884 14	14	93,6	85,6	20	65	44	33,4	1,33
127 415 00	127 884 15	15	99,8	91,6	20	71	44	33,4	1,57
127 416 00	127 884 16	16	105,5	97,7	20	77	44	33,4	1,84
127 417 00	127 884 17	17	111,5	103,7	20	83	44	33,4	2,12
127 418 00	127 884 18	18	118,0	109,7	20	89	44	33,4	2,42
127 419 00	127 884 19	19	124,2	115,8	20	95	44	33,4	2,75
127 420 00	127 884 20	20	129,7	121,8	20	101	44	33,4	3,09
127 421 00	127 884 21	21	136,0	127,8	25	107	44	33,4	3,42
127 423 00	127 884 23	23	149,0	139,9	25	119	44	33,4	4,21
127 425 00	127 884 25	25	160,0	152,0	25	131	44	33,4	5,07

**2 x ISO 16 B-1, Pitch 1" x 17.02 mm,**  
**B<sub>1</sub> = max. 16.2 mm, c = 2.5 mm, r<sub>3</sub> = 26 mm**

Product No. ZRE	Product No. ZREG	Number of teeth	d <sub>a</sub> mm	d mm	B mm	d <sub>g</sub> mm	A mm	L mm	Weight kg
128 412 00	128 884 12	12	109,0	98,14	20	72	68	52,5	2,58
128 413 00	128 884 13	13	117,0	106,12	20	80	68	52,5	3,14
128 414 00	128 884 14	14	125,0	114,15	20	88	68	52,5	3,76
128 415 00	128 884 15	15	133,0	122,17	20	96	68	52,5	4,44
128 416 00	128 884 16	16	141,0	130,20	25	104	68	52,5	5,09
128 417 00	128 884 17	17	149,0	138,22	25	112	68	52,5	5,87
128 418 00	128 884 18	18	157,0	146,28	25	120	68	52,5	6,70
128 419 00	128 884 19	19	165,2	154,33	30	128	68	52,5	7,53
128 421 00	128 884 21	21	181,2	170,43	30	144	68	52,5	9,48



**Reworking within  
 24h-service possible.  
 Custom made parts  
 on request.**