

Cam-Action Indexing Plungers 612 Made from Steel

Material: Steel, black oxide finish, cam-action indexing plunger precision turned and nitrided. Cap: Plastic Thermoplast (polyamide) black, matt finish.

Note: cam-action indexing plungers are used if the plunger pin sometimes needs to be retracted, i.e. must not stick out. Turning the indexing plunger by 180° causes the plunger pin to retract. There is a notched catch to ensure the plunger can be locked in both positions.

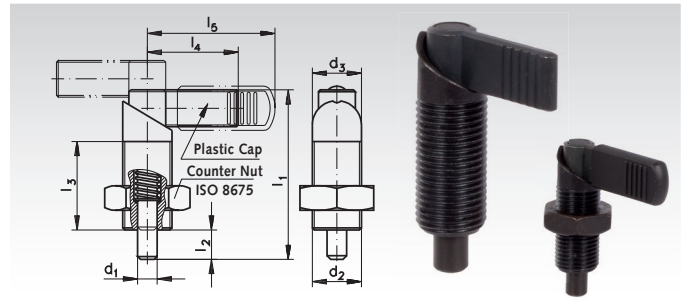
Version A: without counter nut, without plastic cap.

Version B: without counter nut, with plastic cap.

Version AK: with counter nut, without plastic cap.

Version BK: with counter nut, with plastic cap.

Ordering Details: e.g.: Product No. 666 773 00, Indexing Plunger 612, Version A, 5 mm



Product No. Version A	Product No. Version B	Product No. Version AK	Product No. Version BK	-0,02/-0,04 d ₁ mm	d ₂ mm	d ₃ mm	l ₁ mm	l ₂ mm	l ₃ +1,5 mm	l ₄ mm	l ₅ mm	Spring Load*		Weight g
												Initial N	End N	
666 773 00	666 783 00	666 873 00	666 883 00	5	M12 x 1,5	12	47	8	26	26	32	9	21	39
666 774 00	666 784 00	666 874 00	666 884 00	6	M12 x 1,5	12	47	8	26	26	32	9	21	39
666 775 00	666 785 00	666 875 00	666 885 00	6	M16 x 1,5	16	56	10	30	32	42	12	32	59
666 776 00	666 786 00	666 876 00	666 886 00	8	M12 x 1,5	12	47	8	26	26	32	9	21	39
666 777 00	666 787 00	666 877 00	666 887 00	8	M16 x 1,5	16	56	10	30	32	42	12	32	79
666 778 00	666 788 00	666 878 00	666 888 00	8	M20 x 1,5	20	69	12	36	37	52	21	57	115
666 779 00	666 789 00	666 879 00	666 889 00	10	M16 x 1,5	16	56	10	30	32	42	12	32	64
666 780 00	666 790 00	666 880 00	666 890 00	10	M20 x 1,5	20	69	12	36	37	52	21	57	119
666 782 00	666 792 00	666 882 00	666 892 00	12	M20 x 1,5	20	69	12	36	37	52	21	57	125

* Statistical average.

Cam-Action Indexing Plungers 612 Stainless Steel

Material: Stainless steel 1.4305/1.4404. Tension spring: 1.4310. Plunger pin ground.



Cap: Plastic Thermoplast (polyamide) black, matt finish.

Note: cam-action indexing plungers are used if the plunger pin sometimes needs to be retracted, i.e. must not stick out. Turning the indexing plunger by 180° causes the plunger pin to retract. There is a notched catch to ensure the plunger can be locked in both positions.

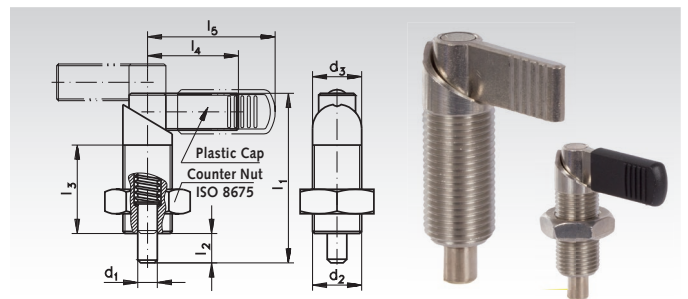
Version A-N: without counter nut, without plastic cap.

Version B-N: without counter nut, with plastic cap.

Version AK-N: with counter nut, without plastic cap.

Version BK-N: with counter nut, with plastic cap.

Ordering Details: e.g.: Product No. 666 997 73, Indexing Plunger 612, Version A-N, 5 mm



Product No. Version A-N	Product No. Version B-N	Product No. Version AK	Product No. Version BK-N	-0,02/-0,04 d ₁ mm	d ₂ mm	d ₃ mm	l ₁ mm	l ₂ mm	l ₃ mm	l ₄ mm	l ₅ mm	Spring Load*		Weight g
												Initial N	End N	
666 997 73	666 997 83	666 998 73	666 998 83	5	M12 x 1,5	12	47	8	26	26	32	9	21	39
666 997 74	666 997 84	666 998 74	666 998 84	6	M12 x 1,5	12	47	8	26	26	32	9	21	39
666 997 75	666 997 85	666 998 75	666 998 85	6	M16 x 1,5	16	56	10	30	32	42	12	32	59
666 997 76	666 997 86	666 998 76	666 998 86	8	M12 x 1,5	12	47	8	26	26	32	9	21	39
666 997 77	666 997 87	666 998 77	666 998 87	8	M16 x 1,5	16	56	10	30	32	42	12	32	79
666 997 78	666 997 88	666 998 78	666 998 88	8	M20 x 1,5	20	69	12	36	37	52	21	57	115
666 997 79	666 997 89	666 998 79	666 998 89	10	M16 x 1,5	16	56	10	30	32	42	12	32	64
666 997 80	666 997 90	666 998 80	666 998 90	10	M20 x 1,5	20	69	12	36	37	52	21	57	119
666 997 82	666 997 92	666 998 82	666 998 92	12	M20 x 1,5	20	69	12	36	37	52	21	57	125

* Statistical average.

Loctite thread locking and bonding products page 849.