

## Shaft Collars, Clamp Collars Double Wide, Single-Split

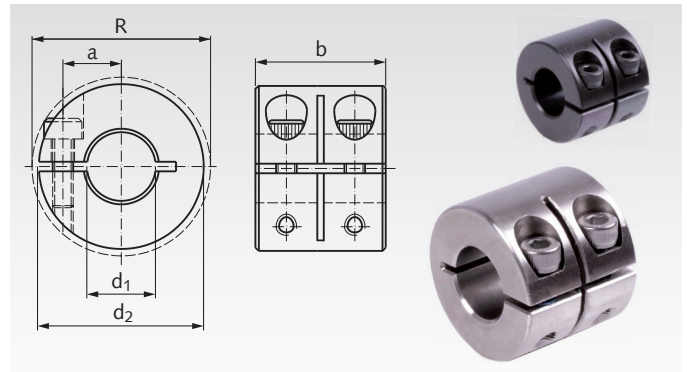
**Material:** Steel C45, black oxide finish, screws steel 12.9.  
Stainless steel 1.4305,  
screws stainless steel A2-70.



**Features:** does not damage the shaft, stronger clamping force than with set collars, even distribution of clamping forces, easy readjustment, precision honed bores.  
The threads of the screws DIN 912 are covered with a layer of nylon.

Tolerance b: +0.08 mm  
-0.25 mm

Temperature range: -40°C to +175°C.



Ordering Details: e.g.: Product No. 624 106 00, Clamp Collar, 6mm

Product No. Steel	Product No. Stainless Steel	d <sub>1</sub> mm	d <sub>2</sub> mm	R mm	b mm	a mm	Screw DIN 912	Tightening Torque		Weight g
								Steel Nm	Stainless steel Nm	
624 106 00	624 991 06	6 <sup>+0,05</sup>	16	20,1	20	5,2	M3 x 8	2,1	1,1	20
624 108 00	624 991 08	8 <sup>+0,07</sup>	18	21,3	20	6,0	M3 x 8	2,1	1,1	24
624 110 00	624 991 10	10 <sup>+0,07</sup>	24	25,6	20	8,5	M3 x 8	2,1	1,1	48
624 112 00	624 991 12	12 <sup>+0,07</sup>	28	31,7	24	10,0	M4 x 12	4,6	2,5	78
624 116 00	624 991 16	16 <sup>+0,07</sup>	34	38,5	29	12,0	M5 x 14	9,5	5,4	130
624 120 00	624 991 20	20 <sup>+0,07</sup>	40	46,3	33	14,5	M6 x 16	16	9,6	202
624 125 00	624 991 25	25 <sup>+0,07</sup>	45	50,6	33	17,0	M6 x 16	16	9,6	240
624 130 00	624 991 30	30 <sup>+0,12</sup>	54	58,6	33	21,5	M6 x 18	16	9,6	342
624 140 00	624 991 40	40 <sup>+0,12</sup>	60	65,0	33	25,0	M6 x 18	16	9,6	344
624 150 00	624 991 50	50 <sup>+0,12</sup>	78	84,2	41	32,0	M8 x 25	17	13,6	772

## Shaft Collars, Clamp Collars Double Wide, Double-Split

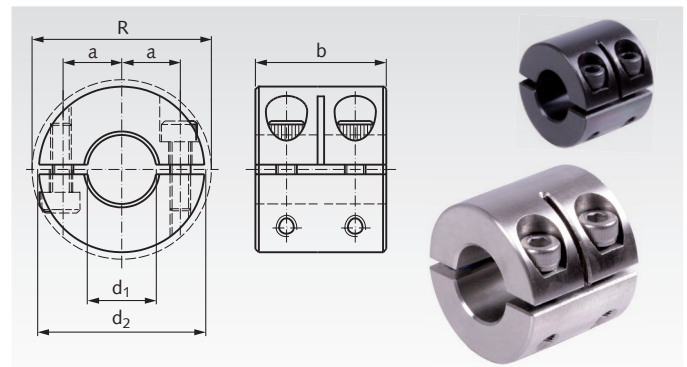
**Material:** Steel C45, black oxide finish, screws steel 12.9.  
Stainless steel 1.4305,  
screws stainless steel A2-70.



**Features:** does not damage the shaft, stronger clamping force than with set collars, even distribution of clamping forces, easy readjustment, precision honed bores.  
The threads of the screws DIN 912 are covered with a layer of nylon.

Tolerance b: +0.08 mm  
-0.25 mm

Temperature range: -40°C to +175°C.



Ordering Details: e.g.: Product No. 624 406 00, Clamp Collar, 6mm

Product-No. Steel	Product-No. Stainless Steel	d <sub>1</sub> mm	d <sub>2</sub> mm	R mm	b mm	a mm	Screws DIN 912	Tightening Torque		Weight g
								Steel Nm	Stainless steel Nm	
624 406 00	624 994 06	6 <sup>+0,05</sup>	16	20,1	20	5,2	M3 x 8	2,1	1,1	20
624 408 00	624 994 08	8 <sup>+0,07</sup>	18	21,3	20	6,0	M3 x 8	2,1	1,1	24
624 410 00	624 994 10	10 <sup>+0,07</sup>	24	25,6	20	8,5	M3 x 8	2,1	1,1	44
624 412 00	624 994 12	12 <sup>+0,07</sup>	28	31,7	24	10,0	M4 x 12	4,6	2,5	76
624 416 00	624 994 16	16 <sup>+0,07</sup>	34	38,5	29	12,0	M5 x 14	9,5	5,4	126
624 420 00	624 994 20	20 <sup>+0,07</sup>	40	46,3	33	14,5	M6 x 16	16	9,6	194
624 425 00	624 994 25	25 <sup>+0,07</sup>	45	50,6	33	17,0	M6 x 16	16	9,6	228
624 430 00	624 994 30	30 <sup>+0,12</sup>	54	58,6	33	21,5	M6 x 18	16	9,6	326
624 440 00	624 994 40	40 <sup>+0,12</sup>	60	65,0	33	25,0	M6 x 18	16	9,6	326
624 450 00	624 994 50	50 <sup>+0,12</sup>	78	84,2	41	32,0	M8 x 25	17	13,6	740

### Remarks to collars from steel

The black oxide on the clamping collars is formulated as part of the total performance of the product. It enhances the holding ability of the collar, it efficiently reduces slipping on the shaft,

has anti-stick-slip characteristics and helps to keep the torque rating of the screw within its designed parameters. The oxide layer also provides corrosion protection.