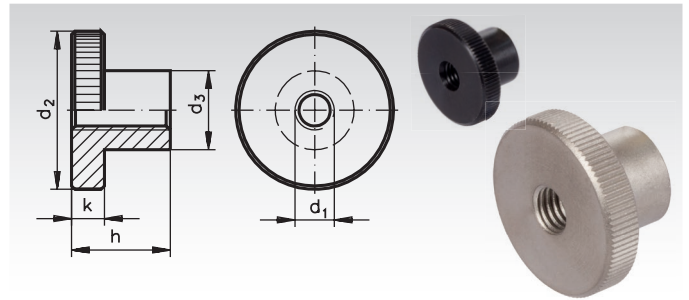


Knurled Nuts DIN 466, Steel and Stainless Steel

Material: Steel, tensile strength 5, visible face precision turned, black oxide finish.

Material: Stainless steel 1.4305, visible face precision turned, sand blasted matt.



Ordering Details: e.g.: Product No. 653 723 00, Knurled Nut DIN 466, M3

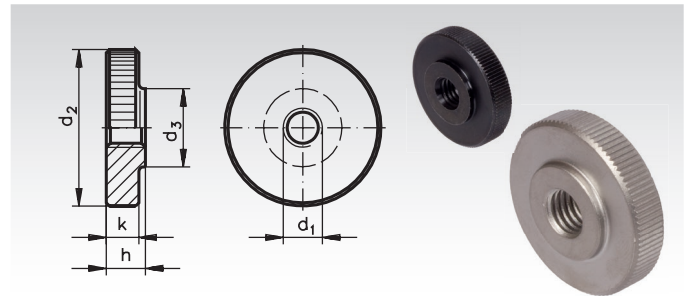
Product No. Steel	Product No. Stainless	d ₁ mm	d ₂ mm	d ₃ mm	h mm	k mm	Weight g
653 723 00	-	M3	12	6	7,5	2,5	3
653 724 00	653 997 24	M4	16	8	9,5	3,5	7
653 725 00	653 997 25	M5	20	10	11,5	4	13
653 726 00	653 997 26	M6	24	12	15	5	23
653 728 00	653 997 28	M8	30	16	18	6	44
653 730 00	653 997 30	M10	36	20	23	8	84
653 732 00	-	M12*	40	22	25	10	118

* Not part of the DIN.

Flat Knurled Nuts DIN 467, Steel and Stainless Steel

Material: Steel, tensile strength 5, visible face precision turned, black oxide finish.

Material: Stainless steel 1.4305, visible face precision turned, sand blasted, matt finish.



Ordering Details: e.g.: Product No. 653 743 00, Flat Knurled Nuts DIN 466, M3

Product No. Steel	Product No. Stainless	d ₁ mm	d ₂ mm	d ₃ mm	h mm	k mm	Weight g
653 743 00	-	M3	12	6	3	2,5	2
653 744 00	653 997 44	M4	16	8	4	3,5	5
653 745 00	653 997 45	M5	20	10	5	4	10
653 746 00	653 997 46	M6	24	12	6	5	18
653 748 00	653 997 48	M8	30	16	8	6	35
653 750 00	653 997 50	M10	36	20	10	8	61
653 752 00	-	M12*	40	22	12	10	92

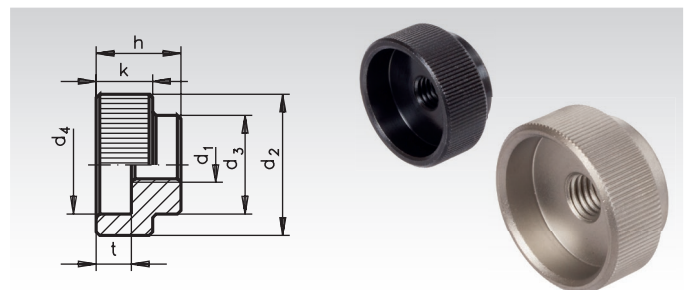
* Not part of the DIN.

Knurled Nuts DIN 6303, Steel and Stainless Steel

Material: Steel, black oxide finish.

Material: Stainless steel 1.4305

Without pin hole.



Ordering Details: e.g.: Product No. 653 705 00, Knurled Nut DIN 6303, M5

Product No. Steel	Product No. Stainless	d ₁ mm	d ₂ mm	d ₃ mm	d ₄ mm	h mm	k mm	t mm	Weight g
653 705 00	653 997 05	M5	20	14	15	12	8	5	15
653 706 00	653 997 06	M6	24	16	18	14	10	6	27
653 708 00	653 997 08	M8	30	20	24	17	12	7	40
653 710 00	653 997 10	M10	36	28	30	20	14	8	85
653 712 00	653 997 12	M12	40	32	34	24	16	10	132