

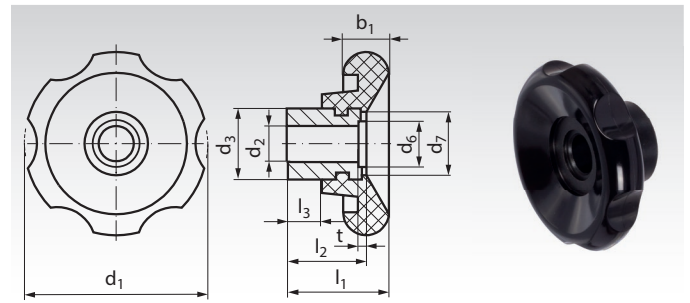
## Handwheels 527.1 with Peripheral Grooves

**Material:** Plastic Thermoplast (PA) reinforced, black, gloss finish.  
Hub: Steel, black oxide finish.

With steel hubs of large dimension. For applications requiring a large contact surface or a large diameter bore.

Temperature resistant up to +120°C.

Keyway available at extra charge.



Ordering Details: e.g.: Product No. 675 052 01, Handwheel 527.1, 50mm

Product No.	d <sub>1</sub> mm	d <sub>2</sub> <sup>H7</sup> mm	d <sub>3</sub> mm	d <sub>6</sub> mm	d <sub>7</sub> mm	b <sub>1</sub> mm	l <sub>1</sub> mm	l <sub>2</sub> <sup>-0.5</sup> mm	l <sub>3</sub> mm	t mm	Weight g
675 052 01	50	10	20	-	18	13	29	21	10	-	60
675 062 01	60	12	25	-	24	16	30	23	11	-	110
675 070 01	70	14	30	21,4	29	18	33	25	12	1,5	160
675 083 01	80	16	35	21,4	34	19	40	30	15	1,5	255

## Spoked Handwheels 522 Made from Plastic with Revolving Cylindrical Handle

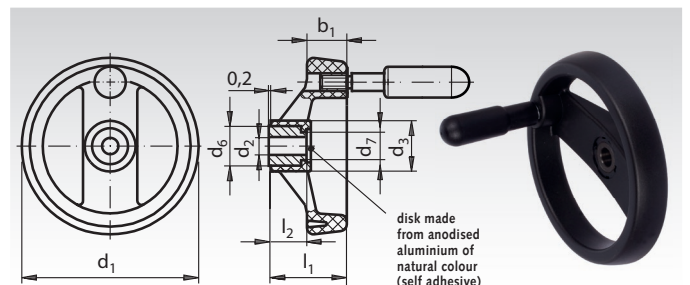
**Material:** Plastic Thermoplast reinforced, impact-proof, black, matt finish. Hub bush: Steel, black oxide finish.

Brass threaded bush for screwing in the cylindrical grip.  
Revolving cylindrical handle: Plastic, black.

Perfect and flawless surface and excellent concentricity.

Version B/G: Without keyway.

Keyway available at extra charge.



Ordering Details: e.g.: Product No. 675 708 00, Spoked Handwheel 522, 80 mm

Product No. Vers. B/G	d <sub>1</sub> mm	d <sub>2</sub> <sup>H7</sup> mm	d <sub>3</sub> mm	d <sub>6</sub> mm	d <sub>7</sub> mm	b <sub>1</sub> mm	l <sub>1</sub> mm	l <sub>2</sub> mm	Handle Ø mm	Handle Length mm	Weight g
675 708 00	80	8	25	18	16	18	35	17	16	45	106
675 710 00	100	10	25,5	18	16	20	37	17	18	60	150
675 712 00	125	12	31	22	20	22	44	22	22	65	248
675 716 00	160	14	40	26	24	25	51	27	23	75	379
675 720 00	200	20	48,5	30	28	28	61	34	24	80	561
675 725 00	250	20	58	35	32	32	69,5	38	25	90	880

## Retractable-Handle Handwheels 5223

**Material:** Thermoplast reinforced, impact-proof, black, matt finish. Hub bush: Steel, black oxide finish.

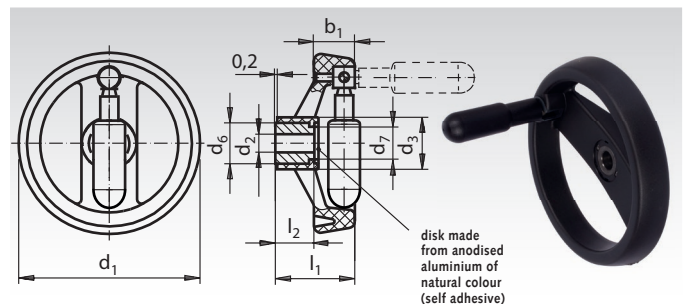
Folding system: Steel, black oxide finish.

Retractable handle: Plastic black.

Use: When the handle must not stick out. The handle is firmly locked in a slim taper in the operating position. To retract the handle, it is pulled out of its taper seat and then tilted. A compression spring locks the handle in both end positions. When folding the handle away, it automatically locks in position.

Version B/G: Without keyway.

Version N/G: With keyway to DIN 6885-1.



Ordering Details: e.g.: Product No. 675 508 00, Retractable-Handle Handwheel 5223, Version B/G, 80 mm

Product No. Vers. B/G	Product No. Vers. N/G	d <sub>1</sub> mm	d <sub>2</sub> <sup>H7</sup> mm	d <sub>3</sub> mm	d <sub>6</sub> mm	d <sub>7</sub> mm	b <sub>1</sub> mm	l <sub>1</sub> mm	l <sub>2</sub> mm	Handle Ø mm	Handle Length mm	Weight g
675 508 00	675 508 01	80	10	25	18	16	18	35	17	15,5	45	70
675 510 00	675 510 01	100	12	25,5	18	16	20	37	17	18	60	165
675 512 00	675 512 01	125	12	31	22	20	22	44	22	22	65	240
675 516 00	675 516 01	160	14	40	26	24	25	51	27	23	75	400
675 520 00	675 520 01	200	20	48,5	30	28	28	61	34	24	80	585
675 525 00	675 525 01	250	20	58	35	32	32	69,5	38	25	90	950