

Shaft Collars, Clamp Collars, Single-Split - Type GR

Material: Steel C45, black oxide finish, screws steel 12.9
Stainless steel 1.4305,
screws stainless steel A2-70.

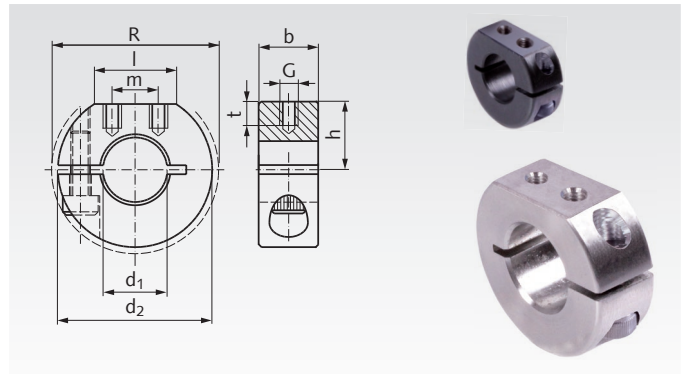


Type GR: With mounting flat and two radial mounting bores, with thread.

The thread of the screw DIN 912 is covered with a layer of nylon.

Tolerance b: +0.08 mm
-0.25 mm

Temperature range: -40°C to +175°C.



Ordering Details: e.g.: Product No. 624 106 00, Clamp Collar, 6mm

Product No. Type GR Steel black	Product No. Type GR Stainless Steel	d ₁ mm	d ₂ mm	R _{max.} mm	b mm	Screw DIN912	h mm	l ≈ mm	m mm	G mm	t mm	Weight g
623 110 00GR	623 991 10GR	10	28	-	9	M3 x 10	12	14,5	8	M3	4	31
623 112 00GR	623 991 12GR	12	30	31,8	11	M4 x 12	13	15	8	M3	4	44
623 114 00GR	623 991 14GR	14	32	33,9	11	M4 x 14	14	15	9	M3	4	49
623 115 00GR	623 991 15GR	15	36	39,4	13	M5 x 16	15	19,5	12	M4	5,5	72
623 116 00GR	623 991 16GR	16	38	39,4	13	M5 x 16	16	20	13	M4	5,5	81
623 118 00GR	623 991 18GR	18	40	41,2	13	M5 x 16	17	21	12,5	M4	5,5	88
623 120 00GR	623 991 20GR	20	42	46,4	15	M6 x 16	18	21,5	14	M4	5,5	105
623 122 00GR	623 991 22GR	22	46	48,1	15	M6 x 16	20	22,5	12	M4	5,5	130
623 125 00GR	623 991 25GR	25	48	50,8	15	M6 x 16	21	23	12,5	M4	5,5	132
623 128 00GR	623 991 28GR	28	54	-	15	M6 x 16	22,5	29	18,5	M5	7	169
623 130 00GR	623 991 30GR	30	56	58,6	15	M6 x 18	24	28,5	18	M5	7	171
623 132 00GR	623 991 32GR	32	58	58,6	15	M6 x 18	25	29	18	M5	7	187
623 135 00GR	623 991 35GR	35	60	61,6	15	M6 x 18	26	30	20	M5	7	192
623 140 00GR	623 991 40GR	40	66	-	15	M6 x 18	27	37	27	M5	7	220
623 145 00GR	623 991 45GR	45	76	79,4	19	M8 x 25	31	41,5	28	M6	8,5	380
623 150 00GR	623 991 50GR	50	82	84,2	19	M8 x 25	34,5	43,5	29	M6	8,5	431

Shaft Collars, Clamp Collars, Double-Split - Type GR

Material: Steel C45, black oxide finish, screws steel 12.9.
Stainless steel 1.4305,
screws stainless steel A2-70.

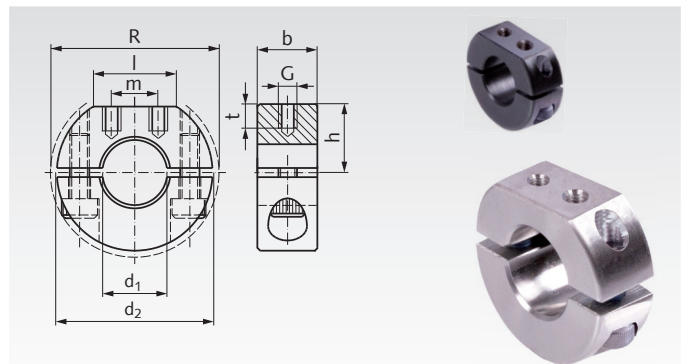


Type GR: With mounting flat and two radial mounting bores, with thread.

The threads of the screws DIN 912 are covered with a layer of nylon.

Tolerance b: +0.08 mm
-0.25 mm

Temperature range: -40°C to +175°C.



Ordering Details: e.g.: Product No. 624 406 00, Clamp Collar, 6mm

Product No. Type GR Steel black	Product No. Type GR Stainless Steel	d ₁ mm	d ₂ mm	R _{max.} mm	b mm	Screws DIN912	h mm	l ≈ mm	m mm	G mm	t mm	Weight g
623 410 00GR	623 994 10GR	10	28	-	9	M3 x 10	12	14,5	8	M3	4	33
623 412 00GR	623 994 12GR	12	30	31,8	11	M4 x 12	13	15	8	M3	4	45
623 414 00GR	623 994 14GR	14	32	33,9	11	M4 x 14	14	15	9	M3	4	50
623 415 00GR	623 994 15GR	15	36	39,4	13	M5 x 16	15	19,5	12	M4	5,5	75
623 416 00GR	623 994 16GR	16	38	39,4	13	M5 x 16	16	20	13	M4	5,5	83
623 418 00GR	623 994 18GR	18	40	41,2	13	M5 x 16	17	21	12,5	M4	5,5	90
623 420 00GR	623 994 20GR	20	42	46,4	15	M6 x 16	18	21,5	14	M4	5,5	109
623 422 00GR	623 994 22GR	22	46	48,1	15	M6 x 16	20	22,5	12	M4	5,5	134
623 425 00GR	623 994 25GR	25	48	50,8	15	M6 x 16	21	23	12,5	M4	5,5	138
623 428 00GR	623 994 28GR	28	54	-	15	M6 x 16	22,5	29	18,5	M5	7	174
623 430 00GR	623 994 30GR	30	56	58,6	15	M6 x 18	24	28,5	18	M5	7	179
623 432 00GR	623 994 32GR	32	58	58,6	15	M6 x 18	25	29	18	M5	7	192
623 435 00GR	623 994 35GR	35	60	61,6	15	M6 x 18	26	30	20	M5	7	193
623 440 00GR	623 994 40GR	40	66	-	15	M6 x 18	27	37	27	M5	7	229
623 445 00GR	623 994 45GR	45	76	79,4	19	M8 x 25	31	41,5	28	M6	8,5	396
623 450 00GR	623 994 50GR	50	82	84,2	19	M8 x 25	34,5	43,5	29	M6	8,5	447