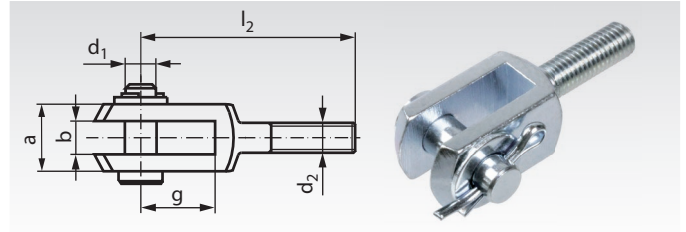


Clevis Joints DIN 71752, External Thread, Zinc-Plated

Material: Steel, zinc-plated.

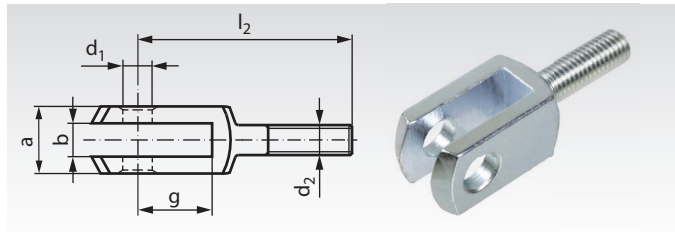
Design A: Right-handed thread, with bolt and split pin.



Ordering Details: e.g.: Product No. 637 705 00, Clevis Joint DIN 71752, A, External Thread

Product No. A right	Size mm	a mm	b mm	d ₁ mm	d ₂ mm	g mm	l ₂ mm	Weight g
637 705 00	6 x 12	12	6	6	M6	12	37	16
637 707 00	8 x 16	16	8	8	M8	16	47	38
637 709 00	10 x 20	20	10	10	M10	20	57	74
637 711 00	12 x 24	24	12	12	M12	24	68	126
637 713 00	14 x 28	27	14	14	M14	28	78	183
637 715 00	16 x 32	32	16	16	M16	32	89	306

Clevises DIN 71752, External Thread, Zinc-Plated



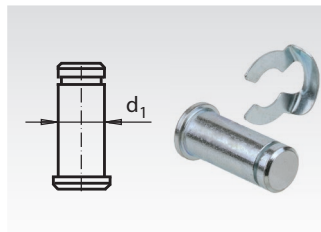
Material: Steel, zinc-plated.

Design G: Right-handed thread, without bolt.

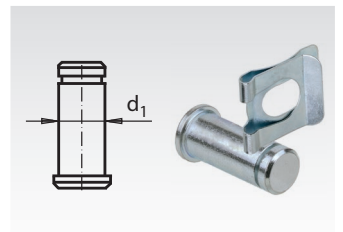
Ordering Details: e.g.: Product No. 637 505 00, Clevis DIN 71752, G, External Thread

Product No. Clevis	Product No. KL Bolt Set	Product No. SL Bolt Set	Size mm	a mm	b mm	d ₁ mm	d ₂ mm	g mm	l ₂ mm	Weight		
										Clevis g	KL g	SL g
637 505 00	637 805 00	637 905 00	6 x 12	12	6	6	M6	12	37	15	3,4	3,6
637 507 00	637 807 00	637 907 00	8 x 16	16	8	8	M8	16	47	36	9,3	10
637 509 00	637 809 00	637 909 00	10 x 20	20	10	10	M10	20	57	68	17	19
637 511 00	637 811 00	637 911 00	12 x 24	24	12	12	M12	24	68	122	32	34
637 513 00	637 813 00	637 913 00	14 x 28	27	14	14	M14	28	78	171	47	50
637 515 00	637 815 00	637 915 00	16 x 32	32	16	16	M16	32	89	288	70	73

Bolt Sets KL



Bolt Sets SL



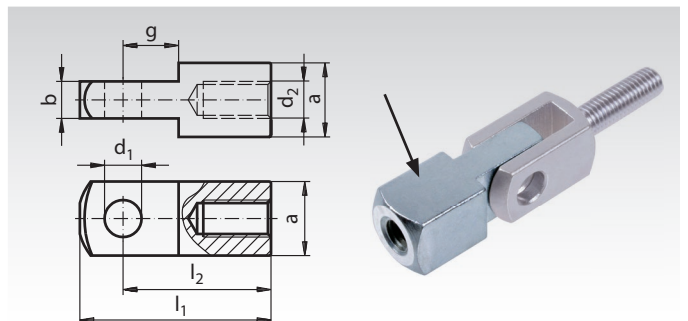
Material: Steel, zinc-plated.

Bolt set and clevis can be used as fork joint.

Ordering Details: e.g.: Product No. 637 805 00, Bolt Set KL for Clevis 6 x 12

Mating Pieces with Internal Thread for Clevis Joints DIN 71752, Zinc-Plated

Material: Steel zinc-plated.



Ordering Details: e.g.: Product No. 637 605 00, Mating piece with Internal Thread, Right-Hand

Product No.	Size mm	a mm	b mm	d ₁ mm	d ₂ mm	g mm	l ₁ ^{±0,5} mm	l ₂ mm	Weight g
637 605 00	6 x 12	12	6	6	M6	9	31	24	21
637 607 00	8 x 16	16	8	8	M8	12	42	32	51
637 609 00	10 x 20	20	10	10	M10	15	52	40	98
637 611 00	12 x 24	24	12	12	M12	18	62	48	168
637 613 00	14 x 28	27	14	14	M14	21	72	56	247
637 615 00	16 x 32	32	16	16	M16	24	83	64	397