

Rubber-Metal Buffers MGI

Material: Elastomer: Natural rubber, hardness 55° Shore A.
Metal parts: Steel, zinc-plated or stainless steel 1.4301.



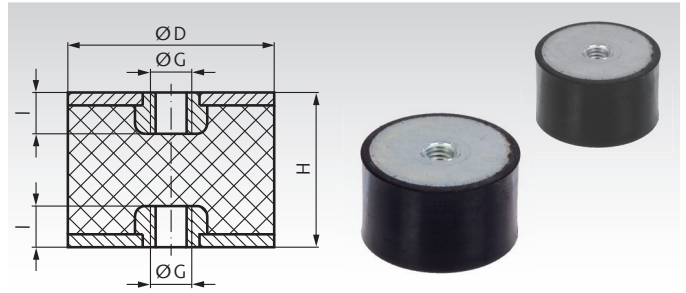
Both sides with internal thread.

Standard components for elastic mounting.

The grade of rubber used has perfect physical properties.

Temperature resistant up to 80°C.

Other sizes, Shore hardnesses or elastomer types on request.



Ordering Details: e.g.: Product No. 685 410 00, Rubber-Metal Buffer 10 mm

Product No. Zinc-plated	Product No. Stainless	D mm	H mm	G mm	l mm	Pressure Load		Shearing Load		Weight g
						Spring Load CD medium N/mm	Permiss. Load $F_{perm.}^*$ N	Spring Load CS medium N/mm	Permiss. Load $F_{perm.}^*$ N	
685 410 00	689 410 00	10	10	M4	4	39	43	9	15	2
685 410 15	689 410 15	10	15	M4	4	28	43	4	15	2
685 415 00	689 415 00	15	15	M4	4	62	95	12	35	5
685 420 00	689 420 00	20	25	M6	6	103	170	15	60	17
685 425 00	689 425 00	25	20	M6	6	83	170	16	60	24
685 425 30	689 425 30	25	30	M6	6	67	280	16	95	30
685 430 00	689 430 00	30	20	M8	8	207	400	37	140	35
685 430 30	689 430 30	30	30	M8	8	117	400	24	140	44
685 430 40	689 430 40	30	40	M8	8	67	400	13	140	50
685 440 00	689 440 00	40	30	M8	8	209	650	41	250	78
685 440 40	689 440 40	40	40	M8	8	114	650	20	250	93
685 450 00	689 450 00	50	30	M10	10	352	1000	68	400	126
685 450 40	689 450 40	50	40	M10	10	247	1000	51	400	145
685 450 50	689 450 50	50	50	M10	10	118	1000	37	400	169
685 475 00	689 475 00	75	40	M12	12	720	2300	110	850	366
685 475 50	689 475 50	75	50	M12	12	498	2300	89	850	425
685 500 00	689 500 00	100	40	M16	16	1830	4200	249	1600	733
685 500 60	689 500 60	100	60	M16	16	770	4200	129	1600	863

* $F_{perm.}$: Note page 619 bottom.

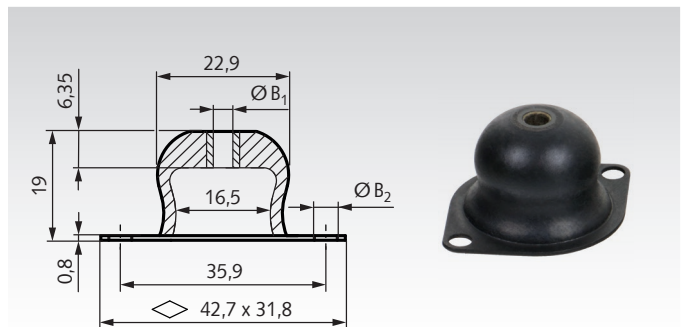
Metal-Rubber Vibration Dampers MBM „Bubble Mount“

Material: Elastomer: Neoprene (Chloroprene-rubber).
Metal parts: Steel, zinc-plated.

The MBM low-frequency vibration dampers are used to isolate small devices, electronic components and control units. These dampers are mainly used in vertical compressive stresses under load. They efficiently protect against damaging vibrations and shocks.

- Good vibration and shock absorption.
- Low natural frequency 8 - 16 Hz.
- Small, light design.

Temperature range -30°C to +80°C.



Ordering Details: e.g.: Product No. 685 506 40, Metal-Rubber Vibration Damper
MBM, B₁ = 4.3mm, Colour Code Yellow

Product No.	Bores		Minimum Load ¹⁾			Maximum Load ¹⁾			Colour Code ²⁾	Weight g
	B ₁ mm	B ₂ mm	Load min. N	Deflection mm	Nat. Frequency Hz	Load max. N	Deflection mm	Nat. Frequency Hz		
685 506 40	4,3	4	6,8	1,35	16	17,6	2,7	8	yellow	5,0
685 506 41	4,3	4	11,7	1,35	16	28,4	2,7	8	red	5,5
685 506 42	4,3	4	21,5	1,35	16	49,0	2,7	8	green	6,0
685 506 43	4,3	4	26,4	1,35	16	66,7	2,7	8	blue	6,5
685 506 44	4,3	4	32,3	1,35	16	80,4	2,7	8	white	7,0
685 506 80	6,5	4	6,8	1,35	16	17,6	2,7	8	yellow	5,0
685 506 81	6,5	4	11,7	1,35	16	28,4	2,7	8	red	5,5
685 506 82	6,5	4	21,5	1,35	16	49,0	2,7	8	green	6,0
685 506 83	6,5	4	26,4	1,35	16	66,7	2,7	8	blue	6,5
685 506 84	6,5	4	32,3	1,35	16	80,4	2,7	8	white	7,0

¹⁾ Static load by the weight of the object. The resulting deflection ensures a large enough negative suspension travel.

A compliant load enables a high efficient damping of vibrations and shocks at long service life.

²⁾ The colour code (a small spot of colour) is for the identification of the load range. The rubber body is always black.