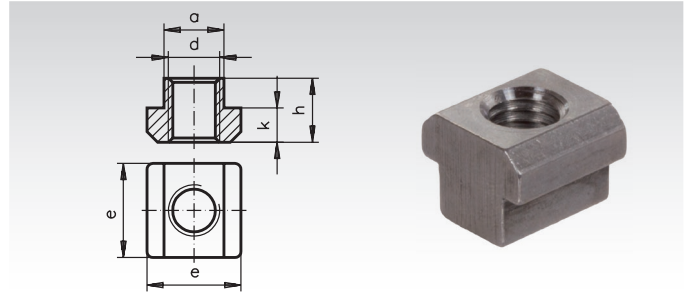


Nuts DIN 508 for T-slots DIN 650

Material: Tempered steel, tensile strength 8, bright.
Suitable for T-slots DIN 650 / ISO 299.



Ordering Details: e.g.: Product No. 655 105 00, Nut DIN 508, M5

Product No.	d mm	for T-Slot mm	a mm	e mm	h mm	k mm	Weight g
655 105 00	M5	6	5,6	10	8	4	3
655 106 00	M6	8	7,6	13	10	6	8
655 108 00	M8	10	9,6	15	12	6	14
655 110 00	M10	12	11,6	18	14	7	22
655 112 00	M12	14	13,6	22	16	8	34
655 114 00	M14*	16	15,6	25	18	9	50
655 116 00	M16	18	17,6	28	20	10	68
655 120 00	M20	22	21,6	35	28	14	155
655 124 00	M24	28	27,6	44	36	18	330

* These dimension is not part of the DIN.

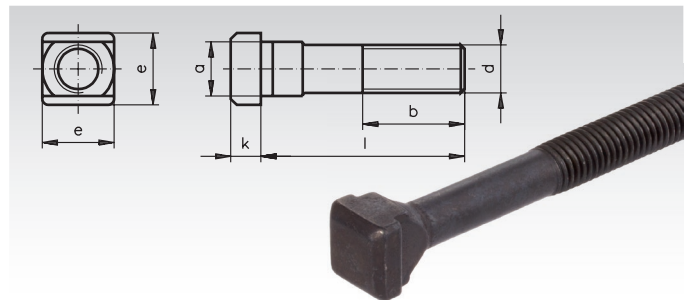
Threaded bars page 556. Nuts with collar page 558. Washers page 559.

Bolts DIN 787 for T-slots DIN 650

Material: Tempered steel, forged, slot flats milled, black oxide finish.

Tensile strength:
Up to M12: strength 10.9. Above M12: strength 8.8.
Suitable for T-slots DIN 650 / ISO 299.

More sizes up to M36 x 600mm on request.



Ordering Details: z.B.: Product No. 655 001 00, Bolt DIN 787, M6 x 25 mm

Product No.	d mm	for T-Slot mm	l mm	a mm	b mm	e mm	k mm	Weight g
655 001 00	M6	6	25	5,6	15	10	4	10
655 002 00	M6	6	40	5,6	28	10	4	15
655 004 00	M8	8	50	7,6	35	13	6	26
655 005 00	M8	8	80	7,6	50	13	6	37
655 006 00	M10	10	40	9,6	30	15	6	33
655 007 00	M10	10	63	9,6	45	15	6	50
655 009 00	M10	10	100	9,6	60	15	6	67
655 011 00	M12	12	50	11,6	35	18	7	58
655 012 00	M12	12	80	11,6	55	18	7	87
655 014 00	M12	12	125	11,6	75	18	7	120
655 015 00	M12	14	50	13,6	35	22	8	76
655 016 00	M12	14	80	13,6	55	22	8	100
655 018 00	M12	14	125	13,6	75	22	8	135
655 019 00	M16	16	63*	15,6	45	25	9	136
655 020 00	M16	16	100*	15,6	65	25	9	200
655 022 00	M16	16	160*	15,6	100	25	9	290
655 023 00	M16	18	63	17,6	45	28	10	162
655 024 00	M16	18	100	17,6	65	28	10	220
655 026 00	M16	18	160	17,6	100	28	10	300
655 028 00	M20	20	160*	19,6	100	32	12	444
655 029 00	M20	22	80	21,6	55	35	14	332
655 030 00	M20	22	125	21,6	85	35	14	390
655 032 00	M20	22	160*	21,6	100	35	14	497

* These dimensions are not part of the DIN.

Threaded bars page 556. Nuts with collar page 558. Washers page 559.