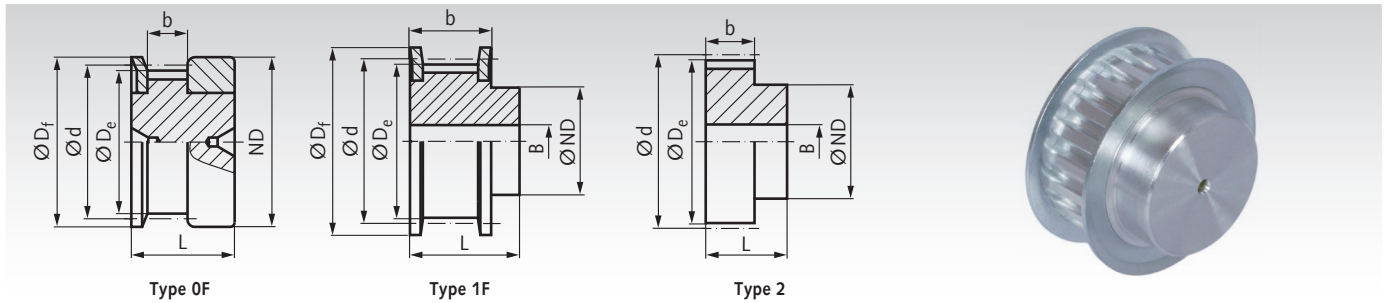


Standard Pulleys, Inch Pitch ISO 5294



Material: Aluminium similar to EN AW2017A.

Flanges zinc-plated steel. Pre-bored (from a Teeth Number of 22).

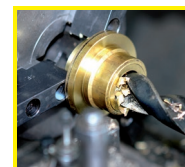
Ordering Details: e.g.: Product No. 181 116 00, Pulleys, Pitch MXL, 16 Teeth, Timing-Belt Width 012

MXL 012: Pitch 0.08" = 2.032 mm for Timing Belt Width 0.12" = 3.2 mm

Product No.	Number of teeth	Type	De mm	Df mm	d mm	ND mm	b mm	L mm	B mm	Weight g
181 116 00	16	0F	9,84	15	10,35	15	3,8	10	-	3
181 118 00	18	0F	11,13	16	11,64	16	3,8	10	-	4
181 120 00	20	0F	12,43	16	12,94	16	3,8	10	-	4,5
181 122 00	22	1F	13,72	18	14,23	10	5,6	10	-	5
181 124 00	24	1F	15,02	18	15,52	10	5,6	10	-	6
181 128 00	28	1F	17,60	23	18,11	11	5,6	10	-	10
181 130 00	30	1F	18,90	23	19,40	12	5,6	10	4	10
181 132 00	32	1F	20,19	25	20,70	14	5,6	10	4	11
181 136 00	36	1F	22,78	28	23,29	16	5,6	10	4	14
181 140 00	40	1F	25,36	32	25,87	18	5,6	10	4	17
181 142 00	42	1F	26,66	32	27,17	18	5,6	10	4	19
181 144 00	44	1F	27,95	36	28,46	18	5,6	10	4	21
181 148 00	48	2	30,54	-	31,05	20	5,6	10	4	26
181 160 00	60	2	38,30	-	38,81	24	5,6	10	4	40
181 172 00	72	2	46,06	-	46,57	25	5,6	10	4	56

MXL 025: Pitch 0.08" = 2.032 mm for Timing Belt Width 0.25" = 6.35 mm

Product No.	Number of teeth	Type	De mm	Df mm	d mm	ND mm	b mm	L mm	B mm	Weight g
181 316 00	16	0F	9,84	15	10,35	15	8,5	16	-	4
181 318 00	18	0F	11,13	16	11,64	16	8,5	16	-	5
181 320 00	20	0F	12,43	16	12,94	16	8,5	16	-	5,5
181 322 00	22	1F	13,72	18	14,23	10	11	16	3	6
181 324 00	24	1F	15,02	18	15,52	10	11	16	3	8
181 328 00	28	1F	17,60	23	18,11	11	11	16	3	12
181 330 00	30	1F	18,90	23	19,40	12	11	16	4	13
181 332 00	32	1F	20,19	25	20,70	14	11	16	4	14
181 336 00	36	1F	22,78	28	23,29	16	11	16	4	18
181 340 00	40	1F	25,36	32	25,87	18	11	16	4	21
181 342 00	42	1F	26,66	32	27,17	18	11	16	5	24
181 344 00	44	1F	27,95	36	28,46	18	11	16	5	26
181 348 00	48	2	30,54	-	31,05	20	11	16	5	32
181 360 00	60	2	38,30	-	38,81	24	11	16	5	50
181 372 00	72	2	46,06	-	46,57	25	11	16	6	70



**Reworking within
24h-service possible.
Custom made parts
on request.**