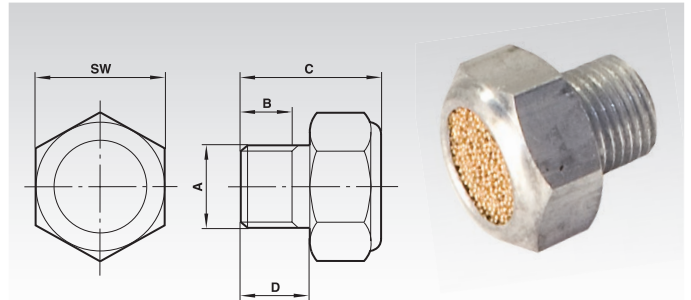


Exhaust Filters

Material: Housing: Aluminium. Filter element: Sintered metal.

Operating pressure: max. 10 bar.



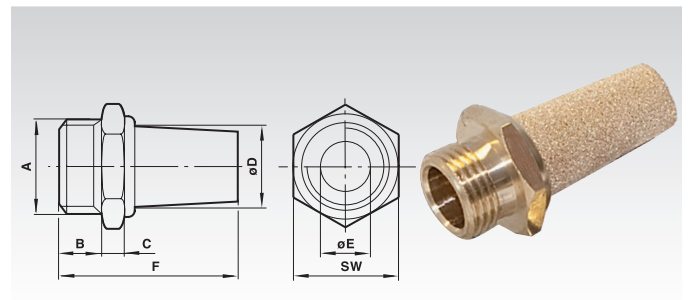
Ordering details e.g.: Product No. 865 315 11, Exhaust Filter, Thread Outer Ø G¹/₈A

Product No.	A	B mm	C mm	D mm	SW mm	Flow at 6 bar Operating Pressure		Weight g
						m ³ /h		
865 315 11	G ¹ / ₈ A	6	16	8	15	11,3		6
865 315 12	G ¹ / ₄ A	8	22	10	23	27,7		18
865 315 14	G ¹ / ₂ A	10,5	25	13	30	37,8		30
865 315 16	G ³ / ₄ A	14	31	16	42	98,3		50
865 315 18	G 1 A	15	35	19	47	138,6		91

Silencers

Material: Filter element: Sintered metal. Housing: Brass.

Operating pressure: max. 10 bar.



Ordering details e.g.: Product No. 866 005 00, Silencer, Thread M5

Product No.	A	B mm	C mm	Ø D mm	Ø E mm	F mm	SW mm	Venting Noise dB(A), Measuring Distance 1m		Weight g
								at 0,7 bar	at 6 bar	
866 005 00	M5	5	5	5	2,5	2,0	7	56	70	4
866 018 00	G ¹ / ₈ A	6	5	9,5	6	24	13	66	75	10
866 028 00	G ¹ / ₄ A	8	5	12	8,5	33	17	68	78	20
866 038 00	G ³ / ₈ A	10	5	17	12	44	22	75	84	39
866 048 00	G ¹ / ₂ A	12	5,5	20	14,8	56	27	75	88	68
866 068 00	G ³ / ₄ A	14	6	26	19	80	32	87	96	130
866 088 00	G 1 A	16	6	31	25	82	41	93	100	200