

## Angular Drive with Plastic Bevel Gears, Ratio 1:1

**Material:** Housing made from zinc die-cast ZnAl4Cu1. Shafts made from stainless steel 1.4301, dismantlable. Bevel gears from polyacetal or polyketone resin, injection-moulded.



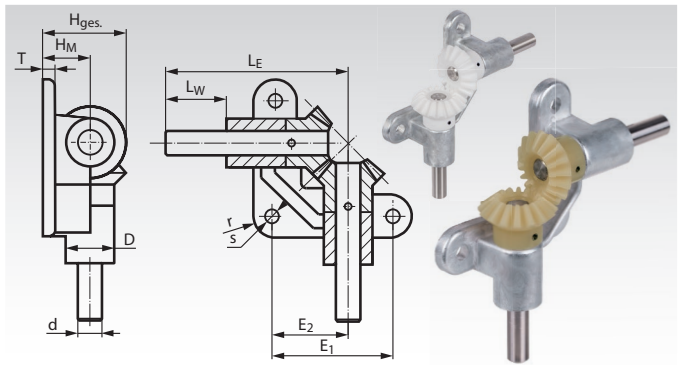
- Low cost angular gear drive, ratio 1:1, 6 sizes.
- Suitable for lower torques and intermittent use.
- Shafts running directly in the self-lubricating housing material.
- Easy to mount and maintenance-free.

**Polyacetal:** Standard quality with high hardness.

**Polyketone:** Lower friction, much larger lifespan. Much higher safety against tooth breaking. Shaft angle = 90°. Temperature range - 20°C to +100° C.

Ordering details: e.g.:

Art.-Nr. 410 355 10, Angular drive with polyacetal bevel gears, shaft-Ø d=5mm



### Ratio 1:1

Product No. Polyacetal	Product No. Polyketone	d mm	D mm	E <sub>1</sub> mm	E <sub>2</sub> mm	H <sub>Ges</sub> mm	H <sub>M</sub> mm	L <sub>E</sub> mm	L <sub>W</sub> mm	r mm	s mm	T mm	Module mm	Number of teeth	T <sub>max</sub> *		Weight g
															Polyacetal Ncm	Polyketone Ncm	
410 355 10	410 356 10	5 <sup>h9</sup>	12	32	19,4	18,8	10	50	15	6	4,8	4	1,0	16/16	8,3	8,7	60
410 355 15	410 356 15	8 <sup>h9</sup>	18	45	28,4	28,2	15	70	20	9	5,8	5	1,5	16/16	29	31	180
410 355 20	410 356 20	10 <sup>h6</sup>	22	55	35,0	37,5	20	90	30	11	7,0	6	2,0	16/16	73	77	320
410 355 25	410 356 25	12 <sup>h6</sup>	25	65	41,0	46,8	25	105	35	12,5	9,0	7	2,5	16/16	145	152	480
410 355 30	410 356 30	15 <sup>h6</sup>	30	75	47,5	56,2	30	120	40	15	9,0	8	3,0	16/16	250	263	760
410 355 35	410 356 35	18 <sup>h6</sup>	33	85	54,0	65,7	35	135	45	16	11,0	9	3,5	16/16	440	462	1080

\*Basis for calculations see page 274.

## Bevel gears Made from Zinc Die-Cast, Straight-Tooth System, Ratio 1:1

**Material:** ZnAl4Cu1.

Shaft angle = 90°.

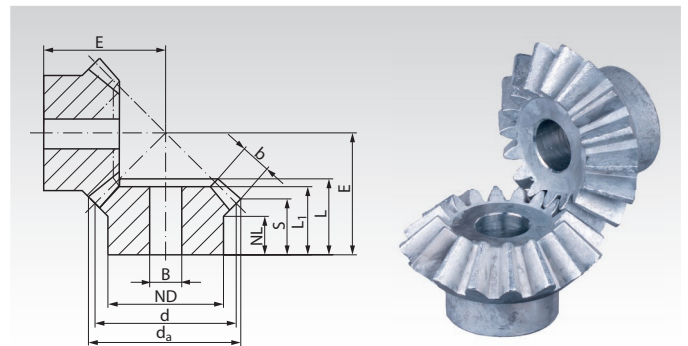
Bores machined.

Zinc-die-cast gears under load should not be used at operating temperatures higher than 100°C.

The bevel gears only run as a pair at same module.

Ordering Details: e.g.:

1 Pair of Bevel Gears Ratio 1:1 Mod. 1 16 Teeth = 2 Pieces Product No. 358 507 00

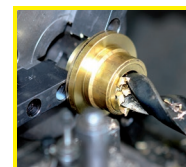


### Ratio 1:1

Product No.	Module	Number of teeth	d <sub>a</sub> mm	d mm	ND mm	NL mm	L <sub>1</sub> mm	L mm	b mm	BH9 mm	E mm	S mm	Torque* Ncm	Weight g
358 507 00	1	16	17,5	16	12	7,5	13,0	13,0	4,5	6	17,9	10,5	14	7
358 707 00	1,5	16	26,0	24	19	10,7	17,0	18,6	6,9	8	25,5	14,5	46	27
359 007 00	2	16	34,6	32	23	10	19,2	21,3	9,6	10	30,0	15,1	110	52
359 107 00	2,5	16	43,3	40	26	12	23,0	25,5	12,3	12	36,2	17,6	230	88
359 407 00	3	16	52,3	48	30	13	26,0	29,3	14,0	14	42,5	20,6	380	146
359 507 00	3,5	16	61,4	56	34	14	29,2	33,2	15,5	16	49,4	23,2	580	228

\* In the torque calculation of zinc-die-cast bevel gears only the root strength was considered.

Due to the material properties these gears are only to a limited extend suitable for continuous operation.



**Reworking within  
24h-service possible.  
Custom made parts  
on request.**