

## Grub Screws according to DIN 6332 with Thrust Point

**Material:** Steel quality 5.8, turned, thrust point hardened, black oxide finish.

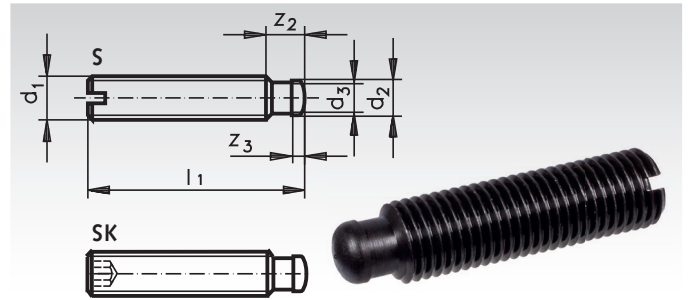
**Type S:** With slot.

**Type SK:** With internal hexagon.

**Assembly:** Turn thrust screw into thrust pad. The thrust pad has to be held thus that the spring retainer lies in the recess with its open side at the bottom. Now tilt the grub screw as far as possible towards the open side of the ring and press it in. To be combined with the thrust pads DIN 6311 below on this page.

Ordering Details: e.g.: Product No. 654 006 00, Grub Screw DIN 6332, Type S, M6

Product No. Type S	Product No. Type SK	$d_1$ mm	$l_1$ mm	$d_2^{H11}$ mm	$d_3$ mm	$Z_2$ mm	$Z_3$ mm	Weight g
654 006 00	654 006 01	M6	30	4,5	4	6	2,5	4,9
654 007 00	654 007 01	M6	50	4,5	4	6	2,5	8,4
654 009 00	654 009 01	M8	40	6	5,4	7,5	3	11,8
654 011 00	654 011 01	M8	60	6	5,4	7,5	3	18,1
654 013 00	654 013 01	M10	60	8	7,2	9	4,5	27,5
654 015 00	654 015 01	M10	80	8	7,2	9	4,5	37,5
654 017 00	654 017 01	M12	60	8	7,2	10	4,5	40
654 019 00	654 019 01	M12	80	8	7,2	10	4,5	55
654 020 00	654 020 01	M12	100	8	7,2	10	4,5	69
654 024 00	654 024 01	M16	80	12	11	12	5	100
654 025 00	654 025 01	M16	100	12	11	12	5	126
654 026 00	654 026 01	M16	125	12	11	12	5	160
654 030 00	654 030 01	M20	100	15,5	14,4	14	5,5	190
654 031 00	654 031 01	M20	125	15,5	14,4	14	5,5	240
654 032 00	654 032 01	M20	150	15,5	14,4	14	5,5	290

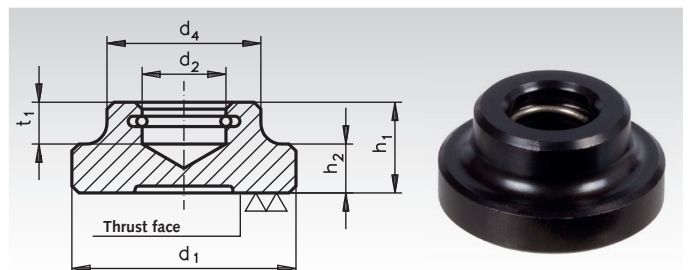


## Thrust Pads with Spring Retainer according to DIN 6311 and Factory Standard

**Material:** Steel turned, case hardened, black oxide finish.

Spring retainer included.

Up to size  $d_1 = 40$  mm for grub screws according to DIN 6332.  
from size  $d_1 = 48$  mm for grub screws according to factory standard,  
manufactured according to measuring table below.



Ordering Details: e.g.: Product No. 654 106 00, Thrust Pad DIN 6311,  $d_1 = 12$  mm

Product No.	$d_1$ mm	$d_2^{H12}$ mm	$d_4$ mm	$h_1$ mm	$h_2$ mm	$t_1$ mm	f. Grub Screw/ Thrust Point	Weight g
654 106 00	12	4,6	10	7	2,5	4	DIN 6332/M6	4,4
654 108 00	16	6,1	12	9	4	5	DIN 6332/M8	9
654 110 00	20	8,1	15	11	5	6	DIN 6332/M10	17
654 112 00	25	8,1	18	13	6	7	DIN 6332/M12	33
654 116 00	32	12,1	22	15	7	7,5	DIN 6332/M16	57
654 120 00	40	15,6	28	16	9	8	DIN 6332/M20	103
654 124 00	48	17,7	32	24	12	12	Tr./M24	215
654 130 00	60	22	40	32	17	14	Tr./M28/30/32	465
654 140 00	80	30,3	60	45	25	17	Tr./M40	1287

## Dimension Table for Thrust Points

For Thrust Pads $d_1$	$d$ mm	$d_1$ mm	$d_2$ mm	$z_1$ mm	$z_2$ mm	$r$ mm
48	Tr. 24	17,5	16,5	16,5	6,5	11
60	Tr. 28/30/32	21,8	20	20	8	13
80	Tr. 40	30	28,5	25	10	22

