

Hinges M237.1, Polyamide

Material: Plastic Polyamid (PA), glass fibre reinforced, black matt.
Pin: Stainless steel 1.4305.
Threaded bolts: Steel zinc-plated.

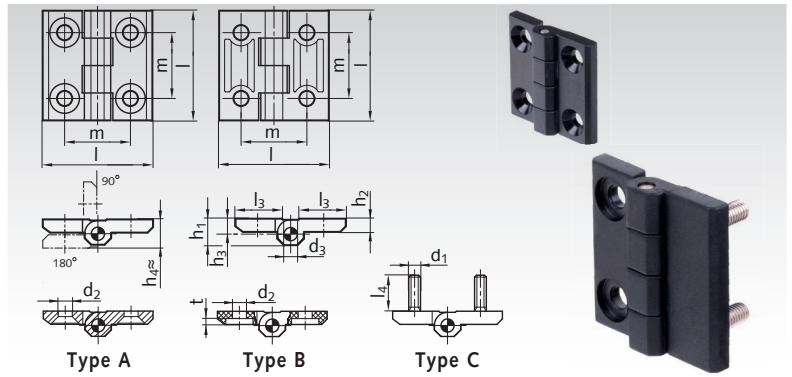
Non-detachable, high quality plastic hinges.

Type A: with 2 x 2 bores for countersunk screws.

Type B: with 2 x 2 bores for cylindrical screw heads.

Type C: with 2 x 2 threaded bolts.

Temperature resistant up to +140 °C.



Ordering Details: e.g. Product No. 677 003 81, Hinge M237.1, Type A, 30mm

Product No.	Type	l mm	d ₁ mm	M _A ¹⁾ Nm	d ₂ mm	M _A ²⁾ Nm	d ₃ mm	h ₁ mm	h ₂ mm	h ₃ mm	h ₄ ≈ mm	l ₃ mm	l ₄ mm	m±0,2 mm	t mm	F _A ³⁾ N	F _R ⁴⁾ N	Weight g
677 003 81	A	30	-	-	4,5	3	2,5	7	3,5	4	8	10,5	-	18	-	1400	1000	6
677 003 82	A	40	-	-	5,5	3	4	9	5	5,5	11	14	-	25	-	1900	1280	14
677 003 83	A	50	-	-	6,5	5	6	11,5	6	6,5	14	18	-	30	-	2630	1720	31
677 003 84	A	60	-	-	8,5	5	8	15	8	8,5	18	21	-	36	-	3320	3070	57
677 003 85	B	30	-	-	4,5	3	2,5	7	3,5	4	8	10,5	-	1,3	1300	850	6	
677 003 86	B	40	-	-	5,5	5	4	9	5	5,5	11	14	-	1,7	1900	1000	15	
677 003 87	B	50	-	-	6,5	5	6	11,5	6	6,5	14	18	-	3,0	2860	1360	30	
677 003 88	B	60	-	-	8,5	5	8	15	8	8,5	18	21	-	3,7	3440	2170	57	
677 003 89	C	40	M5	5	-	-	4	9	5	5,5	11	14	12	25	-	2000	1000	26
677 003 90	C	50	M6	5	-	-	6	11,5	6	6,5	14	18	12	30	-	2340	2100	50
677 003 91	C	60	M8	5	-	-	8	15	8	8,5	18	21	14,5	36	-	3000	2130	101

1) Fastening torque for thread d₁.

2) Fastening torque for fitting screw in d₂.

3) Max. axial force.

4) Max. radial force at opening angle 90°. These are non-binding guide values without any liability.

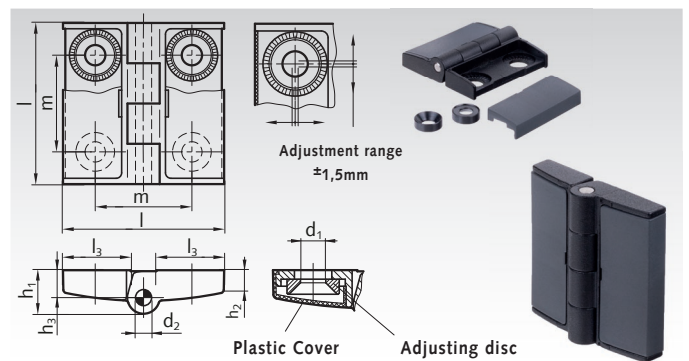
Hinges M238, Zinc Die Cast, Adjustable

Material: Zinc die cast, plastic coated black RAL 9005, textured finish.
Plastic cover black-grey.
Pin: Stainless steel 1.4305.
Adjusting discs: Steel, hardened.

These adjustable, non-detachable hinges allow a very precise positioning of the door or cover.

The adjusting discs have a cutting ring at the bottom, which cuts into the ribs of die cast zinc-wing when tightening the countersunk screw. That prevents an unintentional move after assembly. The screws are covered by a perfectly fitting lid.

Type B: adjustable in both directions.



Ordering Details: e.g.: Product No. 677 004 01, Hinges M238, 42mm

Product No. Type B	l mm	d ₁ mm	d ₂ mm	h ₁ ≈ mm	h ₂ ≈ mm	h ₃ mm	l ₃ mm	m mm	F _A ¹⁾ N	F _R ²⁾ N	Weight g
677 004 01	42	5,3	4	11	6,5	7,5	17	25	1050	2100	54
677 004 02	50	6,3	5	13,5	7	8,5	21	30	1500	2200	91
677 004 03	60	6,3	6	16,5	8,5	11	26	36	1500	3200	160

1) Max. axial force.

2) Max. radial force at opening angle 90°. These are non-binding guide values without any liability.