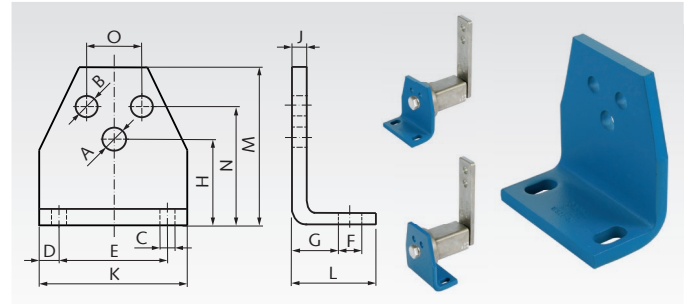


Support for Tensioning Elements or Idlers

Material: Steel, blue painted.

This support enables an easy mounting of the tensioning element or an idler wheel to the machine. The hole A is for fastening the tensioner with its central screw. The mounting can be done at the front side or back side of the support. For any other purposes, the both holes B can be used to fix other parts instead of a tensioner.



Ordering Details: e.g.: 140 800 01, Support for Tensioning Elements Size 0

Product No.	for Size	A mm	B mm	C mm	D mm	E mm	F mm	G mm	H mm	J mm	K mm	L mm	M mm	N mm	O mm	Weight kg
140 800 01	0	6,5	5,5	7	7,5	30	13	11,5	27	4	45	30	46	35	10	0,08
140 801 01	1	8,5	6,5	7	7,5	40	13	13,5	34	5	55	32	58	44	12	0,15
140 802 01	2	10,5	8,5	9,5	10	50	15,5	16,5	43	6	70	38	74	55	20	0,28
140 803 01	3	12,5	10,5	11,5	12,5	65	21,5	21	57	8	90	52	98	75	25	0,70
140 804 01	4	16,5	12,5	14	15	80	24	21	66	8	110	55	116	85	35	0,90

Fitting products, e.g.:



Lubricators page 854