

Hinges M127, Zinc Die Cast, Adjustable

Material: Zinc die cast, plastic coated black, textured finish.
Pin: Stainless steel 1.4305.

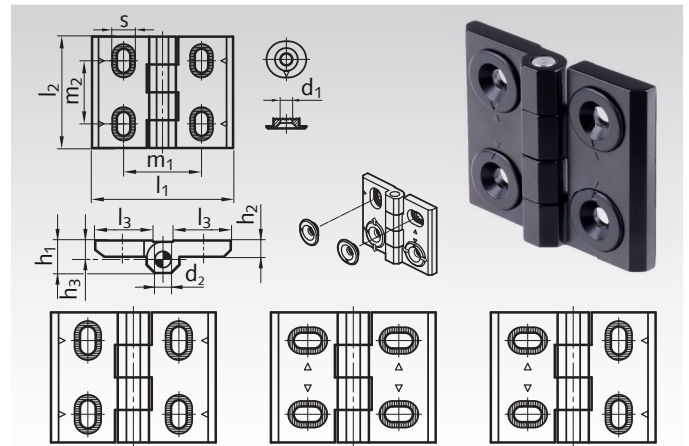
These adjustable, non-detachable hinges allow the accurate positioning of a door or cover in its frame.

The serrations at the hinge holes and at the adjusting bushes create a form lock which prevents the hinge from moving after installation. Adjusting range +/- 2mm.

Type H: horizontal adjustable.

Type B: vertical adjustable.

Type HB: vertical and horizontal adjustable.



Ordering Details: e.g. Product No. 677 001 01, Hinge M127, Type H

Product No.	Type	l_1 mm	l_2 mm	d_1 mm	d_2 mm	$h_1 \approx$ mm	h_2 mm	h_3 mm	l_3 mm	m_1 mm	m_2 mm	s mm	$F_A^{1)}$ N	$F_R^{2)}$ N	Weight g
677 001 01	H	76	60	6,5	8	15	8	8,5	30	42	34	12	1150	2000	200
677 001 02	B	76	60	6,5	8	15	8	8,5	30	42	34	12	1150	2000	207
677 001 03	HB	76	60	6,5	8	15	8	8,5	30	42	34	12	1150	2000	201

¹⁾ Max. axial force. ²⁾ Max. radial force at opening angle 90°. These are non-binding guide values without any liability.

Hinges M128, detachable, for welding

Material: Housing and Pin from Steel,
Sliding disk from Brass.

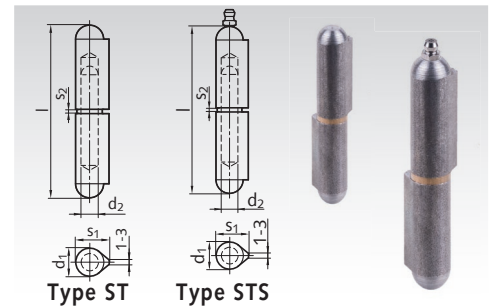
These detachable hinges are produced from weldable drawn steel.

Type ST: The hinge pin is fixed in one half of hinge.

Type STS: With loose steel pin and lubricating nipple DIN 71412-D.

Ordering Details: e.g. Product No. 677 001 11, Hinge M128, Type ST, 40mm

Product No. Type ST	Product No. Type STS	$l \approx$ mm	d_1 mm	d_2 mm	s_1 mm	s_2 mm	Weight g \approx
677 001 11	-	40	8	5	10	2	15
677 001 12	-	50	8	5	10	2	19
677 001 13	-	60	10	6	12	2	36
677 001 14	677 001 24	80	13	8	15,5	2	80
677 001 15	677 001 25	100	16	10	20	3	140
677 001 16	677 001 26	120	16	11	20	3	198
677 001 17	677 001 27	135	18	12	23	3	299
677 001 18	677 001 28	150	20	13	25,5	3	350
677 001 19	677 001 29	180	20	14	25,5	3	470
677 001 20	677 001 30	200	23	16	28,5	3	670



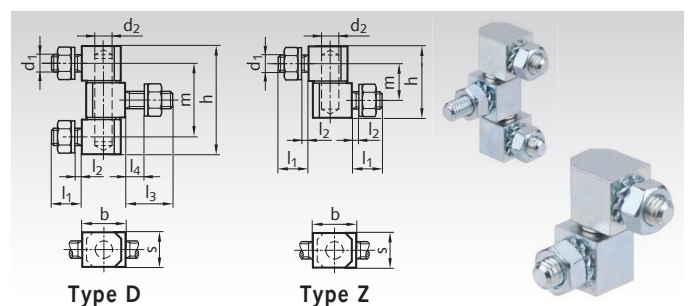
Hinges M129, Zinc-plated

Material: Steel, zinc-plated.
Pin and washer: brass, nickel plated

These hinges are used for doors which are flush with the frame on the outside. The hinges are normally arranged to the side of the door.

Type D: The three-part, non-detachable hinges are to be mounted inside, suitable for doors and covers, which must not be dismountable from the outside.

Type Z: The two-part hinges are detachable, if the hinges are identically arranged (all hinges mounted in the same direction).



Ordering Details: e.g. Product No. 677 001 51, Hinge M129, Type D, 12mm

Product No.	Type	s mm	b mm	d_1 mm	d_2 mm	h mm	l_1 mm	l_2 mm	l_3 mm	l_4 mm	m mm	Weight g
677 001 51	D	12	15	M6	6	39,2	10	5	14	9	27,2	60
677 001 52	D	16	20	M8	8	49	14	8	22	16	33	135
677 001 53	Z	12	15	M6	6	25,6	10	5	-	-	13,6	39
677 001 54	Z	16	20	M8	8	32,5	14	8	-	-	16,5	100