

Hose Clamps DIN 3017-1 (with Worm Gear Drive, Shape A)

Material: Steel zinc-plated.
Stainless steel 1.4301.

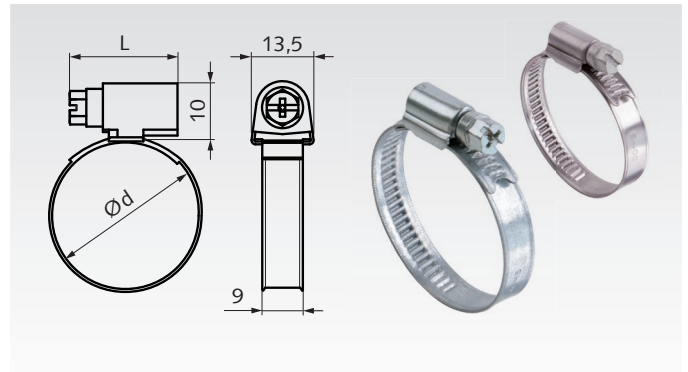


High-performance hose clamps with worm gear thread, for fixing hoses, bellows and for similar usage. Band width 9mm. Band thickness 0.6mm.

Type W1, steel zinc-plated: With hexagon screw head size 7mm, with cross recess and slot.

Type W4, stainless steel: With hexagon screw head size 7mm, with slot.

Other sizes and versions on request.



Ordering Details: e.g.: Product No. 638 110 12, Hose clamp DIN 3017-1, W1, 8 - 12mm

Product No. Type W1 Zinc-plated	Product No. Type W4 Stainless Steel	Grip range Ø d mm	L mm	Torques		Weight g
				AD ¹⁾ Nm	PD ²⁾ Nm	
638 110 12	638 140 12	8 - 12	20	2,5	3,5	10
638 110 16	638 140 16	10 - 16	20	2,5	3,5	11
638 110 20	638 140 20	12 - 22	20	2,5	3,5	11
638 110 27	638 140 27	16 - 27	24	3,0	4,0	14
638 110 32	638 140 32	20 - 32	24	3,0	4,0	15
638 110 35	638 140 35	23 - 35 ³⁾	24	3,0	4,0	15
638 110 40	638 140 40	25 - 40	24	3,0	4,5	16
638 110 45	638 140 45	30 - 45	24	3,0	4,5	17
638 110 50	638 140 50	32 - 50 ³⁾	24	3,0	4,5	17
638 110 60	638 140 60	40 - 60	24	3,0	4,5	19
638 110 70	638 140 70	50 - 70	24	3,0	4,5	20
638 110 80	638 140 80	60 - 80	24	3,0	4,5	22
638 110 90	638 140 90	70 - 90	24	3,0	4,5	23
638 111 00	638 141 00	80 - 100	24	3,0	4,5	24
638 111 10	638 141 10	90 - 110	24	3,0	4,5	26

¹⁾ Tightening torque for mounting.

²⁾ Testing torque, for later checking and retightening of the seated connection.

³⁾ Grip range not like DIN.