

## Cylindrical Drill Bushes similar to the old Standard DIN 179, Design A

Material: 1.0718

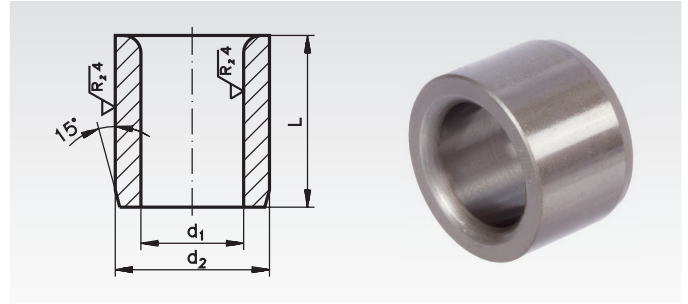
Hardened, ground to tolerance inside and outside.

Hardness: 740+80 HV10 (60+4 HRC).

Bore rounded at edge.

Mounting hole: tolerance H7.

Other dimensions and designs on request.



Ordering Details: e.g.: Product No. 622 204 08, Cylindrical Drill Bushes 4 x 8 mm

Product No.	d <sub>1</sub> <sup>F7</sup> mm	d <sub>2</sub> <sup>n6</sup> mm	L mm	Weight g
622 204 08	4	7	8	1,6
622 204 12	4	7	12	2,3
622 205 08	5	8	8	1,9
622 205 12	5	8	12	2,8
622 206 10	6	10	10	4,0
622 206 16	6	10	16	6,1
622 208 10	8	12	10	4,8
622 208 16	8	12	16	7,7
622 210 12	10	15	12	9,0
622 210 20	10	15	20	15,0
622 212 12	12	18	12	13,0
622 212 20	12	18	20	22,0
622 213 16	13	22	16	30,0
622 214 16	14	22	16	27,0
622 214 28	14	22	28	49,0
622 215 16	15	22	16	25,0
622 215 28	15	22	28	44,0
622 216 16	16	26	16	40,0
622 216 28	16	26	28	71,0
622 218 16	18	26	16	34,0
622 218 28	18	26	28	60,0
622 220 20	20	30	20	60,0
622 222 20	22	30	20	50,0
622 225 20	25	35	20	72,0
622 230 25	30	42	25	130,0

## Cylindrical, Flanged Drill Bushes similar to the old Standard DIN 172, Design A

Material: 1.0718

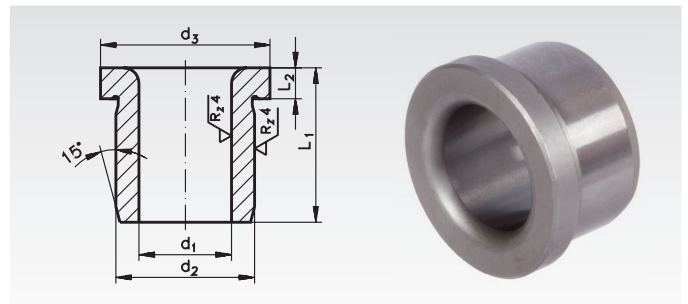
Hardened, ground to tolerance inside and outside.

Hardness: 740+80 HV10 (60+4 HRC).

Bore rounded at flange side.

Mounting hole: tolerance H7.

Other dimensions and designs on request.



Ordering Details: e.g.: Product No. 622 104 08, Flanged Drill Bushes 4 x 8 mm

Product No.	d <sub>1</sub> <sup>F7</sup> mm	d <sub>2</sub> <sup>n6</sup> mm	d <sub>3</sub> mm	L <sub>2</sub> mm	L <sub>1</sub> mm	Weight g
622 104 08	4	7	10	2,5	8	2,3
622 104 12	4	7	10	2,5	12	3,1
622 105 08	5	8	11	2,5	8	2,6
622 105 12	5	8	11	2,5	12	3,6
622 106 10	6	10	13	3,0	10	5,0
622 106 16	6	10	13	3,0	16	7,4
622 108 10	8	12	15	3,0	10	6,1
622 108 16	8	12	15	3,0	16	9,0
622 110 12	10	15	18	3,0	12	10,7
622 110 20	10	15	18	3,0	20	16,7
622 112 12	12	18	22	4,0	12	16,5
622 112 20	12	18	22	4,0	20	25,3
622 115 16	15	22	26	4,0	16	29,0
622 116 16	16	26	30	4,0	16	46,0
622 118 16	18	26	30	4,0	16	39,0
622 120 20	20	30	34	5,0	20	67,0
622 122 20	22	30	34	5,0	20	57,0
622 126 20	26	35	39	5,0	20	74,0



Loctite bonding products (bearing adhesive) page 850.