

## Slip Shafts with Joints PWR, Stainless Steel

**Material:** Stainless steel 1.4301 (X5CrNi1810).

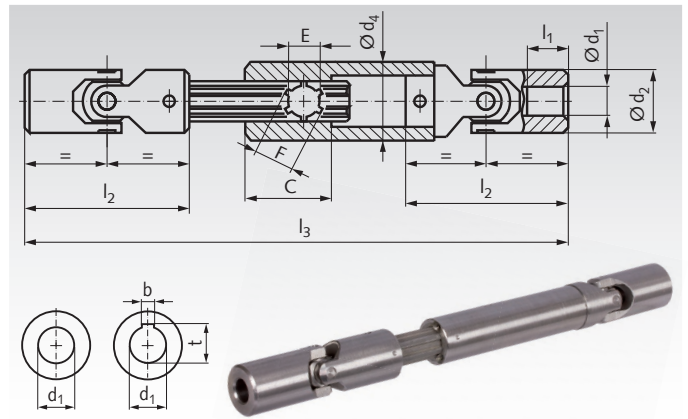
Splined shaft cold drawn.

Max. operating angle per joint 45°.

Optionally without or with keyway DIN 6885-1, on both sides.

Other lengths on request.

**Note:** The joints must be aligned correctly. For this, there are two markings on the product. The markings must be arranged next to each other. See page 386.



Ordering Details: e.g.: Product No. 631 998 20, Slip shaft with joints PWR, 10 mm Bores, without Keyway

Product No. without keyw.	Product No. with keyway	d <sub>1</sub> <sup>H7</sup> mm	d <sub>2</sub> mm	d <sub>4</sub> mm	l <sub>1</sub> mm	l <sub>2</sub> mm	l <sub>3</sub> min. mm	l <sub>3</sub> max. mm	C mm	E mm	F mm	b <sup>J59</sup> mm	t mm	perm. max. Torques at different Speeds			Weight kg
														100 min <sup>-1</sup> Nm	400 min <sup>-1</sup> Nm	800 min <sup>-1</sup> Nm	
631 998 20	631 998 20N	10	22	21,2	25	76	215	245	30	11	14	3	11,4	18,4	9,6	5,2	0,99
631 998 26	631 998 26N	12	25	26,5	29	86	240	270	35	13	16	4	13,8	31,5	12,0	8,7	0,76
631 998 29	631 998 29N	14	29	26,5	30	90	250	280	35	13	16	5	16,3	50	26,4	18,9	0,92
631 998 32	631 998 32N	16	32	32,5	30	95	280	330	40	16	20	5	18,3	68	42	25,9	1,35
631 998 37	631 998 37N	18	37	32,5	35	108	305	355	40	16	20	6	20,8	114	53	-	1,79
631 998 40	631 998 40N	20	40	41,5	32	108	315	365	48	21	25	6	22,8	178	70	-	2,41
631 998 47	631 998 47N	22	47	47,5	38	127	355	405	48	21	25	6	24,8	219	88	-	3,75
631 998 50	631 998 50N	25	50	47,5	44	140	380	430	48	26	32	8	28,3	288	108	-	4,33

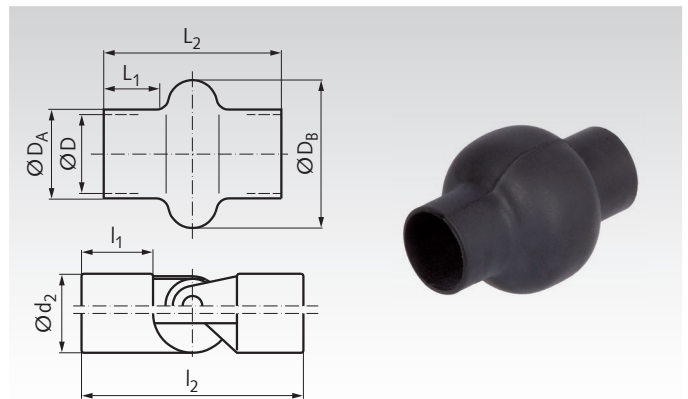
## Bellows FSG for Single-Universal Joints

**Material:** NBR, black. Hardness about 45 Shore A. Mineral-oil resistant.

Single-fold bellows are used to protect ball and universal joints.

The shaft lengths l<sub>1</sub> and l<sub>2</sub> are estimated dimensions.

To securely fix the bellows on the joints, the connections should be fixed with hose fittings.



Ordering Details: e.g.: Product No. 630 516 00, Bellow FSG 16 x 32

Product No.	Nominal Size	Bellow Dimensions ≈						Weight g	Joint Dimensions ≈			Recommended Hose Clamps <sup>1)</sup>		
		D mm	D <sub>A</sub> mm	D <sub>B</sub> mm	L <sub>1</sub> mm	L <sub>2</sub> mm	d <sub>2</sub> mm		l <sub>1</sub> mm	l <sub>2</sub> mm	Product No. zinc-plated	Product No. stainless	Weight g	
630 516 00	16 x 32	16	19,0	35	9,0	32	4	16	9	34	-	-	-	
630 518 00	18 x 38	18	20,5	37	14,0	41	6	18	11	40	638 110 27	638 140 27	14	
630 520 00	20 x 56	20	22,5	39	14,0	57	8	20	14	50	638 110 27	638 140 27	14	
630 522 00	22 x 40	22	24,5	43	12,0	40	6	22	13	48	638 110 32	638 140 32	15	
630 525 00	25 x 66	25	27,5	44	15,0	66	12	25	22	74	638 110 32	638 140 32	15	
630 526 00	26 x 45	26	28,5	50	12,5	45	8	26	15	56	638 110 32	638 140 32	15	
630 528 00	28 x 58	28	30,5	50	17,0	58	10	28	20	70	638 110 35	638 140 35	15	
630 529 00	29 x 50	29	31,5	52	17,0	53	10	29	17	60	638 110 35	638 140 35	15	
630 532 00	32 x 60	32	35,0	57	20,5	60	14	32	19	68	638 110 40	638 140 40	16	
630 533 00	32 x 75	32	34,5	56	27,0	75	14	32	23	80	638 110 40	638 140 40	16	
630 536 00	36 x 82	36	38,5	63	30,0	84	20	36	26	90	638 110 50	638 140 50	17	
630 540 00	42 x 75	42	45,0	70	25,0	75	26	40	29	100	638 110 50	638 140 50	17	
630 545 00	47 x 90	47	50,0	75	31,0	90	28	45	31	110	638 110 60	638 140 60	19	
630 550 00	52 x 95	52	55,0	87	35,0	95	38	50	36	125	638 110 60	638 140 60	19	
630 555 00	58 x 95	58	61,0	97	34,0	95	48	55	45	120	638 110 70	638 140 70	20	
630 570 00	70 x 96	70	73,0	121	33,0	96	68	70	56	140	638 110 80	638 140 80	22	

<sup>1)</sup> See page K43 N1.