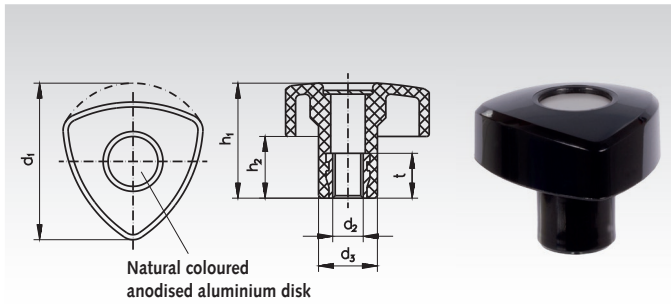


Triangular Knobs, Made from Thermoplast



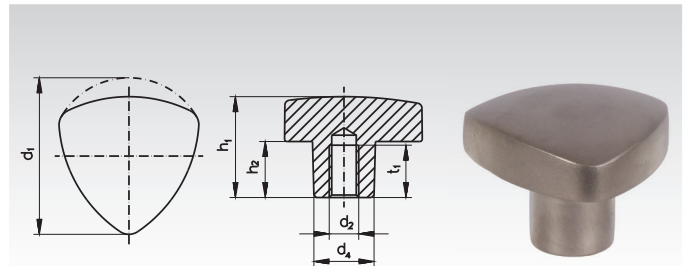
Material: Thermoplast (Polyamide PA),
black glossy finish, brass bush.

Very elegant and easy to grip.

Ordering Details: e.g.: Product No. 661 632 11, Triangular Knob, 32mm, M5

Product No.	d ₁ mm	d ₂ mm	d ₃ mm	h ₁ mm	h ₂ mm	t mm	Weight g
661 632 11	32	M5	14	26	16	10	7
661 632 12	32	M6	14	26	16	12	9
661 640 11	40	M6	16	30	17	12	11
661 640 12	40	M8	16	30	17	14	13
661 650 11	50	M8	19	35	19	14	18
661 650 12	50	M10	19	35	19	16	22
661 660 11	60	M10	22	41	22	16	30
661 660 12	60	M12	22	41	22	18	32

Triangular Knobs, Made from Stainless Steel



Material: Stainless steel 1.4308, matt blasted.

Elegant, easy to grip and clean.
For comparably high torque transmission.



Ordering Details: e.g.: Product No. 661 996 31, Triangular Knob stainless, 32mm, M5

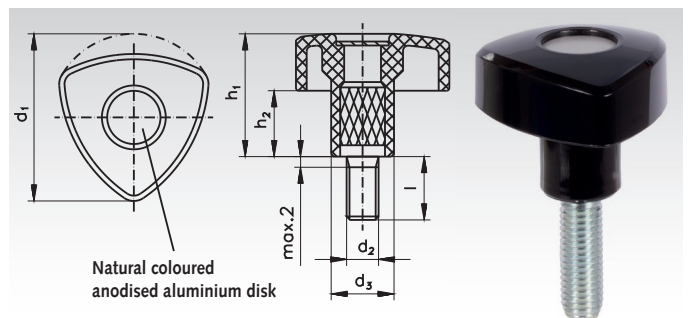
Product No.	d ₁ mm	d ₂ mm	d ₄ mm	h ₁ mm	h ₂ mm	t mm	Weight g
661 996 31	32	M5	12	21	12	10	62
661 996 32	32	M6	12	21	12	10	60
661 996 41	40	M6	14	26	14	12	103
661 996 42	40	M8	14	26	14	12	100
661 996 51	50	M8	18	33	19	15	160
661 996 52	50	M10	18	33	19	15	155
661 996 61	60	M10	20	41	23	18	295
661 996 62	60	M12	20	41	23	18	290

Triangular Knob screws, Made from Thermoplast

Material: Thermoplast (Polyamide PA),
black glossy finish.
Grub screw, zinc-plated steel, chromated.

Very elegant and easy to grip.

Ordering Details: e.g.: Product No. 661 632 13, Triangular Knob screw, 32mm, M5



Product No.	d ₁ mm	d ₂ mm	l mm	h ₁ mm	h ₂ mm	d ₃ mm	Weight g
661 632 13	32	M5	10	26	16	14	9
661 632 14	32	M5	20	26	16	14	10
661 632 15	32	M5	40	26	16	14	13
661 632 16	32	M6	10	26	16	14	10
661 632 17	32	M6	20	26	16	14	13
661 632 18	32	M6	40	26	16	14	15
661 640 14	40	M6	20	30	17	16	15
661 640 15	40	M6	40	30	17	16	19
661 640 16	40	M8	16	30	17	16	19
661 640 17	40	M8	30	30	17	16	25
661 640 18	40	M8	50	30	17	16	30
661 650 14	50	M8	30	35	19	19	32
661 650 15	50	M8	50	35	19	19	37
661 650 17	50	M10	30	35	19	19	40
661 650 18	50	M10	50	35	19	19	50