

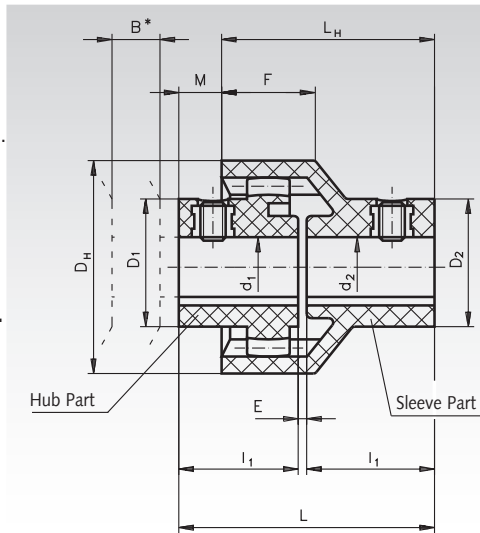
Curved-Tooth Gear Couplings BW, Polyamide 6.6

Bore tolerance + 0.05/-0.10 mm with feather keyways according to DIN 6885/1.

Largest axial displacement = max. ±1 mm.
Largest angular displacement = max. ±1°.
No radial displacement. The permissible displacement values are dependent on power and speed.

Max. speed: 6000 min⁻¹

Both parts have to be ordered separately.



Ordering Details: e.g.:

1 Item Coupling BW, Bore $d_1 = 6$, $d_2 = 10$ mm:

1 Item Product No. 607 006 00 Hub Part

1 Item Product No. 606 110 00 Sleeve Part

Product No. Hub	Size	d_1 mm	D_1 mm	Product No. Sleeve	d_2 mm	D_2 mm	Torque normal Nm	Torque peak Nm	D_H mm	B^* mm	I_1 mm	E mm	L mm	L_H mm	M mm	F mm	Weight Hub g	Weight Sleeve g
607 006 00	14	6	22	-	-	-	5	10	40	15	23	2	48	40	8	18,5	13,5	-
607 007 00	14	7	22	-	-	-	5	10	40	15	23	2	48	40	8	18,5	13,5	-
607 008 00	14	8	22	-	-	-	5	10	40	15	23	2	48	40	8	18,5	13,5	-
607 009 00	14	9	22	-	-	-	5	10	40	15	23	2	48	40	8	18,5	13,5	-
607 010 00	14	10	23	606 110 00	10	25	5	10	40	15	23	2	48	40	8	18,5	13,5	28
607 011 00	14	11	23	606 111 00	11	25	5	10	40	15	23	2	48	40	8	18,5	13,5	28
607 012 00	14	12	26	606 112 00	12	26	5	10	40	15	23	2	48	40	8	18,5	13,5	28
607 014 00	14	14	26	606 114 00	14	26	5	10	40	15	23	2	48	40	8	18,5	13,5	28
607 212 00	19	12	27	-	-	-	8	16	47	16	25	2	52	42	10	19,0	15,5	-
607 214 00	19	14	27	606 314 00	14	29	8	16	47	16	25	2	52	42	10	19,0	15,5	32
607 216 00	19	16	30	606 315 00	15	29	8	16	47	16	25	2	52	42	10	19,0	15,5	32
607 219 00	19	19	32	606 319 00	19	35	8	16	47	16	25	2	52	42	10	19,0	15,5	32
607 410 00	24	10	26	-	-	-	12	24	53	17	26	2	54	45	9	21,5	25	-
607 411 00	24	11	26	-	-	-	12	24	53	17	26	2	54	45	9	21,5	25	-
607 412 00	24	12	26	-	-	-	12	24	53	17	26	2	54	45	9	21,5	25	-
607 414 00	24	14	32	606 514 00	14	32	12	24	53	17	26	2	54	45	9	21,5	25	45
607 415 00	24	15	32	-	-	-	12	24	53	17	26	2	54	45	9	21,5	25	-
607 416 00	24	16	32	-	-	-	12	24	53	17	26	2	54	45	9	21,5	25	-
607 418 00	24	18	36	-	-	-	12	24	53	17	26	2	54	45	9	21,5	25	-
607 419 00	24	19	36	606 519 00	19	36	12	24	53	17	26	2	54	45	9	21,5	25	45
607 420 00	24	20	36	606 520 00	20	36	12	24	53	17	26	2	54	45	9	21,5	25	45
607 424 00	24	24	38	606 524 00	24	40	12	24	53	17	26	2	54	45	9	21,5	25	45

* B is the minimum dimension by which a machine part has to be moved in order to demount one of the coupled units in vertical direction.

General

All parts of the couplings are made from plastic (polyamide). This means large wear resistance and excellent resistance to oils, fats, grease, fuels, alcohols, esters, ketones, and grachatic hydrocarbons. But concentrated mineral acids, formic acid, kresol, glycol and benzyl alcohol can - especially at higher temperatures - dissolve polyamide 6.6. The plastics are resistant to condensation and splash water. Operating temperature -25°C to +100°C.

The torque of the couplings is transmitted from the first hub with the tothing via the sleeve part with straight inner tothing onto the second hub. Horizontal as well as vertical shaft connection is possible. The curved-tooth gear couplings BW compensate angular and axial misalignment of the shafts.

When running the coupling in, the outer layer of the plastic teeth is worn away. The resulting flocculent abrasion is not to be interpreted as wear. Simple mounting - no maintenance - low weight - long service life.

Mounting

Align shafts, put feather keys into the keyways, push hub and sleeve part onto the shaft. The set screws can be entered. Now the hub part is pushed that far into the sleeve part, that a gap of 2mm remains between the shaft ends. Then the set screws have to be tightened firmly.