

Thermoplastic Flange Bearings igubal® EFSM, with 4 Mounting Holes

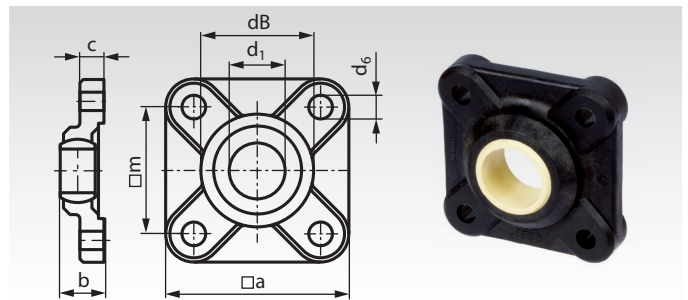
Material spherical ball: iglidur® W300, yellowish.

Material housing: igumid G, black.



- Maintenance-free, silent running and anti-vibrating.
- High strength at very low weight.
- Resistant against corrosion and many chemicals.
- Electrical and thermal isolating.
- The shaft must rotate inside the bore of the spherical ball. With a metal shaft, a sliding speed up to 30 m/min. may be possible. The spherical ball may only compensate shaft misalignment.

Temperature range: -30° to +80°C.



Ordering Details: e.g.: Product No. 621 550 04, Flange Bearing igubal EFSM, 4mm

Product No. EFSM	d ₁ ^{E10} mm	b mm	dB mm	a mm	m ^{±0,1} mm	c ^{±0,1} mm	d ₆ mm	Load Rating* radial static N	axial static N	Tilting angle α °	Weight g
621 550 04	4	8,5	14	25	17	4,5	3,2	500	100	28	2,6
621 550 05	5	8,5	14	25	17	4,5	3,2	500	150	29	2,7
621 550 06	6	8,5	14	25	17	4,5	3,2	500	150	25	2,8
621 550 08	8	10,5	18	33	22	5,5	4,3	700	225	25	5,9
621 550 10	10	12	21,9	38	26	6,5	5,3	1000	350	25	9,1
621 550 12	12	13	25	40	28	7	5,3	1250	425	21	11
621 550 15	15	15,5	30	49	34	8,5	6,4	1500	550	20	20,2
621 550 16	16	16,5	32	52	36	9	6,4	1600	675	27	23,3
621 550 17	17	18	35	54	38	10	6,4	1700	800	21	27,9
621 550 20	20	20	40	65	45	11	8,4	2000	1000	19	45
621 550 25	25	25	48,5	74	52	14	8,4	2800	1200	15	76
621 550 30	30	26	54,5	85	60	15	10,5	3000	1400	14	101

* At short term, the load may be twice as high.

Other versions or sizes on request.

Thermoplastic Flange Bearings igubal® EFOM, with 2 Mounting Holes

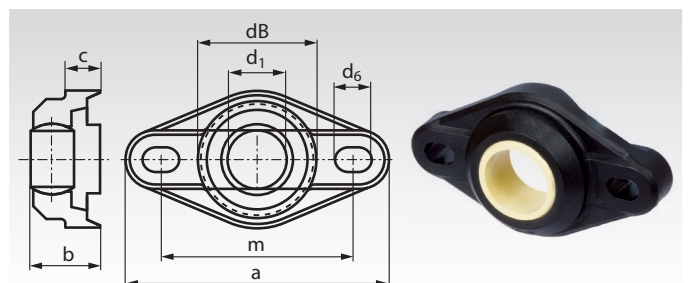
Material spherical ball: iglidur® W300, yellowish.

Material housing: igumid G, black.



- Maintenance-free, silent running and anti-vibrating.
- High strength at very low weight.
- Resistant against corrosion and many chemicals.
- Electrical and thermal isolating.
- The shaft must rotate inside the bore of the spherical ball. With a metal shaft, a sliding speed up to 30 m/min. may be possible. The spherical ball may only compensate shaft misalignment.

Temperature range: -30° to +80°C.



Ordering Details: e.g.: Product No. 621 551 04, Flange Bearing igubal EFOM, 8mm

Product No. EFOM	d ₁ ^{E10} mm	b mm	dB mm	a mm	h mm	m ^{±0,1} mm	c mm	d ₆ mm	Load Rating* radial static N	axial static N	Tilting angle α °	Weight g
621 551 04	4	8	14	33,8	16	24	4,5	3,2 x 5,0	375	200	28	1,9
621 551 05	5	8,5	14	33,8	16	24	4,5	3,2 x 5,0	375	200	29	2,3
621 551 06	6	8,5	14	33,8	16	24	4,5	3,2 x 5,0	400	250	25	1,8
621 551 08	8	10,5	18	44,2	22	31	5,5	4,3 x 6,5	550	350	25	4,1
621 551 10	10	12	22,2	52	26	36	6,5	5,3 x 8,0	1000	425	25	6,8
621 551 12	12	13	25	56,7	31	41	7	5,3 x 8,0	1100	550	21	8,9
621 551 15	15	15,5	29,8	68,6	36	50	8,5	6,4 x 10,0	1200	650	20	15,0
621 551 16	16	17,5	32	72,6	38	53	10	6,4 x 10,1	1400	700	27	17,7
621 551 17	17	18	34,8	74,6	41	55	10	6,4 x 10,2	1600	900	21	24,9
621 551 20	20	20	40	89	47	65	11	8,4 x 12,5	2750	900	19	32,8
621 551 25	25	25	48,5	101	58,5	75	14	8,4 x 12,6	3000	1500	15	58,5
621 551 30	30	26	55	118	65	87,5	15	10,5 x 16,0	3250	1750	14	78,9

* At short term, the load may be twice as high.

Other versions or sizes on request.