

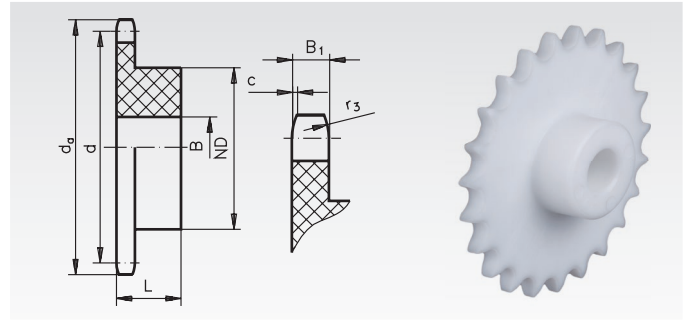
Sprockets KRK Made from Polyacetal Resin with One-Sided Hub, Die Cast

Bores ISO H8.

Material specifications see page 864.

Metal inlays at the hub with custom bore, feather keyways or threads for set screw available on request, depending on the amount and size ordered.

Ordering Details: e.g.: Product No. 100 513 00, KRK, ISO 04, 13 Teeth, Polyacetal Resin



ISO 04, Pitch 6 mm,

$B_1 = 2.6 \text{ mm}$, $c = 0.6 \text{ mm}$, $r_3 = 6 \text{ mm}$

Product No.	Number of teeth	d_a mm	d mm	B mm	ND mm	L mm	Weight g
100 513 00	13	27,5	25,05	8	18	10	3
100 515 00	15	31,0	28,86	8	21	10	5
100 517 00	17	35,0	32,65	8	24	13	8
100 519 00	19	39,0	36,44	8	24	13	9
100 521 00	21	42,5	40,25	10	28	13	11
100 523 00	23	46,5	44,06	10	28	13	12
100 525 00	25	50,0	47,87	10	28	13	13

ISO 05 B-1, Pitch 8 mm,

$B_1 = 2.8 \text{ mm}$, $c = 0.8 \text{ mm}$, $r_3 = 8 \text{ mm}$

Product No.	Number of teeth	d_a mm	d mm	B mm	ND mm	L mm	Weight g
100 563 00	13	36,5	33,42	8	24	13	8
100 565 00	15	41,5	38,48	8	24	13	9
100 567 00	17	46,5	43,53	10	28	14	13
100 569 00	19	52,0	48,61	10	28	14	14
100 571 00	21	57,0	53,68	10	28	14	15
100 573 00	23	62,5	58,75	10	28	14	17
100 575 00	25	67,0	63,83	10	28	14	19

ISO 06 B-1, Pitch 3/8 x 7/32",

$B_1 = 5.3 \text{ mm}$, $c = 1.0 \text{ mm}$, $r_3 = 10 \text{ mm}$

Product No.	Number of teeth	d_a mm	d mm	B mm	ND mm	L mm	Weight g
101 513 00	13	43,0	39,79	8	24	16	13
101 515 00	15	49,0	45,81	8	24	16	16
101 517 00	17	55,5	51,83	10	28	16	20
101 519 00	19	61,5	57,87	10	28	16	24
101 521 00	21	68,0	63,91	12	32	20	33
101 523 00	23	74,0	69,95	12	32	20	38
101 525 00	25	80,0	76,00	12	32	20	44

ISO 081, Pitch 1/2 x 1/8",

$B_1 = 3 \text{ mm}$, $c = 1.3 \text{ mm}$, $r_3 = 13 \text{ mm}$

Product No.	Number of teeth	d_a mm	d mm	B mm	ND mm	L mm	Weight g
102 513 00	13	58,0	53,07	8	24	16	15
102 515 00	15	66,0	61,09	8	24	16	18
102 517 00	17	74,0	69,11	10	28	18	25
102 519 00	19	82,0	77,16	10	28	18	29
102 521 00	21	90,5	85,22	12	32	20	39
102 523 00	23	98,5	93,27	12	32	20	46
102 525 00	25	107,0	101,33	12	32	20	51

ISO 083, Pitch 1/2 x 3/16",

$B_1 = 4 \text{ mm}$, $c = 1.3 \text{ mm}$, $r_3 = 13 \text{ mm}$

Product No.	Number of teeth	d_a mm	d mm	B mm	ND mm	L mm	Weight g
103 513 00	13	58,0	53,07	8	24	17,4	18
103 515 00	15	66,0	61,09	8	24	17,4	23
103 517 00	17	74,0	69,11	10	28	19,4	31
103 519 00	19	82,0	77,16	10	28	19,4	37
103 521 00	21	90,5	85,22	12	32	21,4	48
103 523 00	23	98,5	93,27	12	32	21,4	56
103 525 00	25	107,0	101,33	12	32	21,4	66

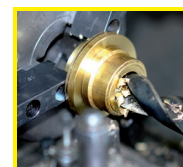
ISO 08 B-1, Pitch 1/2 x 5/16",

$B_1 = 7.2 \text{ mm}$, $c = 1.3 \text{ mm}$, $r_3 = 13 \text{ mm}$

Product No.	Number of teeth	d_a mm	d mm	B mm	ND mm	L mm	Weight g
105 513 00	13	58,0	53,07	10	28	20	26
105 515 00	15	66,0	61,09	10	28	20	33
105 517 00	17	74,0	69,11	12	32	25	48
105 519 00	19	82,0	77,16	12	32	25	56
105 521 00	21	90,5	85,22	16	36	25	68
105 523 00	23	98,5	93,27	16	36	25	79
105 525 00	25	107,0	101,33	16	36	25	90

Note regarding pulleys made from polyacetal resin

Inside these injection-moulded parts are some cavities caused by production. These parts should therefore not be drilled too deep. With larger bores or when grooving the cavities might become visible. Normally, this does not affect the functionality.



Reworking within 24h-service possible. Custom made parts on request.