

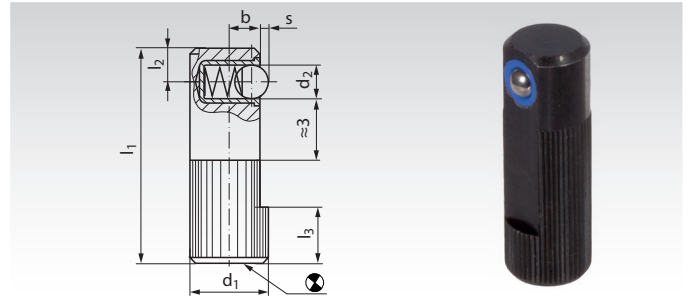
## Spring-Action Side Thrust Pins 2214, Version A, Stainless Ball, Normal Spring Pressure, Single-Sided

### Material:

Steel, black oxide finish. Ball: Stainless steel, hardened.

Spring: Stainless steel.

Temperature range -30°C to +50°C.



Ordering Details: e.g.: Product No. 654 928 00, Spring-Action Side Thrust Pin, Vers. A, 8mm

Product No. Version A	d <sub>1</sub> mm	d <sub>2</sub> mm	l <sub>1</sub> mm	l <sub>2</sub> mm	l <sub>3</sub> mm	b mm	s mm	Intake Bore mm <sup>H8</sup>	Spring Load *		Weight g
									Initial N	End N	
654 928 00	8	3	25	3,6	6	3,2	0,9	8	2,5	6,5	8,7
654 930 00	10	4	30	4,2	7	4	1	10	4,5	9	17
654 932 00	12	5	35	4,8	9	5	1,5	12	6,5	13	29
654 934 00	14	6,5	40	5,8	10	5,4	1,8	14	8	18	43

\* Statistical average.

### Note

The side thrust pin is pressed into the bore by at least as far as the measure l<sub>3</sub>. It serves to position, hold or clamp small workpieces inside fixtures. If the workpiece is machined, additional clamping devices might be required for holding it safely in place.

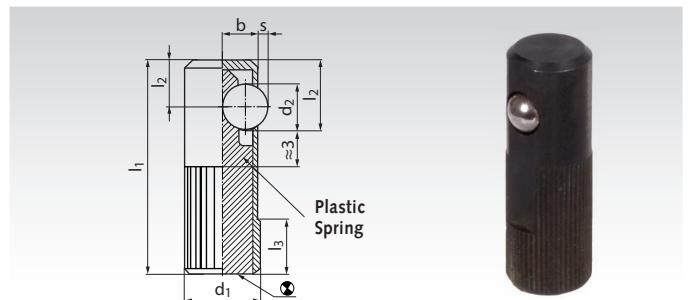
## Spring-Action Side Thrust Pins 2214, Version B, Steel Ball, Strong Spring Pressure, Single-Sided

### Material:

Free cutting steel, black oxide finish. Ball: Steel, hardened.

Spring: Plastic.

Temperature range -40°C to +80°C.



Ordering Details: e.g.: Product No. 654 950 00, Spring-Action Side Thrust Pin, Vers. B, 10mm

Product No. Version B	d <sub>1</sub> mm	d <sub>2</sub> mm	l <sub>1</sub> mm	l <sub>2</sub> mm	l <sub>3</sub> mm	b mm	s mm	Intake Bore mm <sup>H8</sup>	Spring Load*		Weight g
									Initial N	End N	
654 950 00	10	5,5	30	7	8	4,5	1	10	50	160	8,6
654 952 00	12	6,5	35	8	9	5,5	1,5	12	60	270	13

\* Statistical average.

### Note

The side thrust pin is pressed into the bore by at least as far as the measure l<sub>3</sub>. It serves to position, hold or clamp small workpieces inside fixtures. If the workpiece is machined, additional clamping devices might be required for holding it safely in place. If fixtures are stored please make sure that the plastic spring is not loaded.