

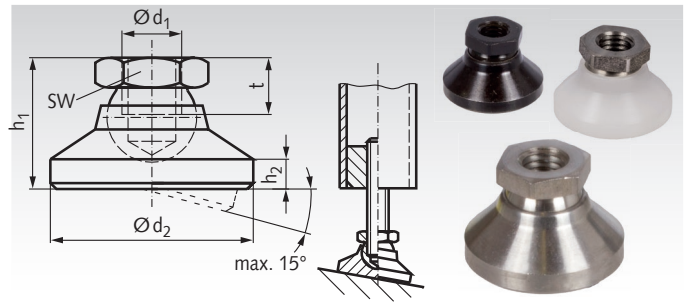
Levelling Pads 2259

Material Type A: Ball bearing: free cutting steel, induction hardened, black oxide finish.
Pad: steel, heat-treated, black oxide finish.

Material Type D: Ball bearing: stainless steel 1.4305.
Pad: Plastic POM, white, Temperature range: -30°C to +80°C.

Material Type N: Completely from stainless steel 1.4305.

STAINLESS



Ordering Details: e.g.: Product No. 655 206 00, Levelling Pad 2259, Type A, M6

Product No. Type A	Product No. Type D	Product No. Type N	d ₁ mm	d ₂ mm	h ₁ mm	h ₂ mm	t mm	SW mm	Static Compress. Load Capacity Type A kN	Static Compress. Load Capacity Type D* kN	Static Compress. Load Capacity Type N kN	Weight Type A g	Weight Type D g	Weight Typ N g
655 206 00	655 226 00	655 992 06	M6	20	14	2,5	5	10	10	4	8	17,2	8,2	17,2
655 208 00	655 228 00	655 992 08	M8	25	18	4	7	13	18	7	14	36,7	17,2	36,7
655 210 00	655 230 00	655 992 10	M10	32	22	5	9	17	20	10	16	77,3	35,8	77,3
655 212 00	655 232 00	655 992 12	M12	40	26	6	11	19	35	18	28	125	54	125
655 216 00	655 236 00	655 992 16	M16	50	32	7	13,5	24	45	20	36	249	103	249
655 220 00	655 240 00	655 992 20	M20	60	42	8	17	30	55	22	44	478	205	478
655 224 00	655 244 00	655 992 24	M24	60	45	9,5	19	36	65	25	52	665	285	665

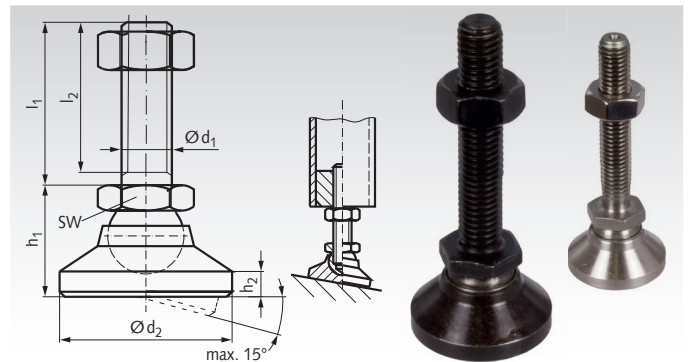
* Figures apply to room temperature only, at higher temperatures the load bearing capacity is reduced.

Levelling Pads 2259, with external Thread

Material Type AG: Ball with threaded bolt: free cutting steel, induction hardened, black oxide finish.
Pad: steel, heat-treated, black oxide finish.

Material Type NG: Stainless steel 1.4305.

STAINLESS



Ordering Details: e.g.: Product No. 655 206 01, Levelling Pad 2259, Type AG, M6 x 60

Product No. Type AG	Product No. Type NG	d ₁ mm	l ₁ mm	d ₂ mm	l ₂ mm	h ₁ mm	h ₂ mm	SW mm	Static Load Capacity* Type AG kN	Static Load Capacity* Type NG kN	Weight AG, NG g
655 206 01	655 206 91	M6	60	20	57	14	2,5	10	10	8	29
655 208 01	655 208 91	M8	80	25	76	18	4	13	18	14	66
655 210 01	655 210 91	M10	100	32	95,5	22	5	17	20	16	133
655 210 02	655 210 92	M10	150	32	145,5	22	5	17	20	16	159
655 212 01	655 212 91	M12	100	40	94,5	26	6	19	35	28	211
655 212 02	655 212 92	M12	150	40	144,5	26	6	19	35	28	247
655 216 01	655 216 91	M16	100	50	94	32	7	24	45	36	407
655 216 02	655 216 92	M16	200	50	194	32	7	24	45	36	540
655 220 01	655 220 91	M20	100	60	92,5	42	8	30	55	44	722
655 220 02	655 220 92	M20	200	60	192,5	42	8	30	55	44	924
655 224 01	655 224 91	M24	100	60	91	45	9,5	36	65	52	935
655 224 02	655 224 92	M24	200	60	191	45	9,5	36	65	52	1231

* Only suitable for compressive load.

Rubber Pads for Levelling Pads 2259

Material: Rubber NBR, black, 85° +/- 5° Shore A.
Oil-resistant rubber pads for levelling pads 2259. The bottom side is profiled. The rubber pad can easily be pulled over and enables an anti-slip and vibration-damping placement of the levelling pad.

Product No.	d ₁ mm	d ₂ mm	d ₃ mm	h ₃ mm	h ₄ mm	Weight g
655 206 99	M6	20	22,5	2,5	6,4	2
655 208 99	M8	25	28	2,5	8,3	3
655 210 99	M10	32	36	4	11,0	8
655 212 99	M12	40	45	4,5	13,2	13
655 216 99	M16	50	56	5,5	15,6	25
655 220 99	M20	60	67	8	19,5	50
655 224 99	M24	60	69	10	24,0	65

